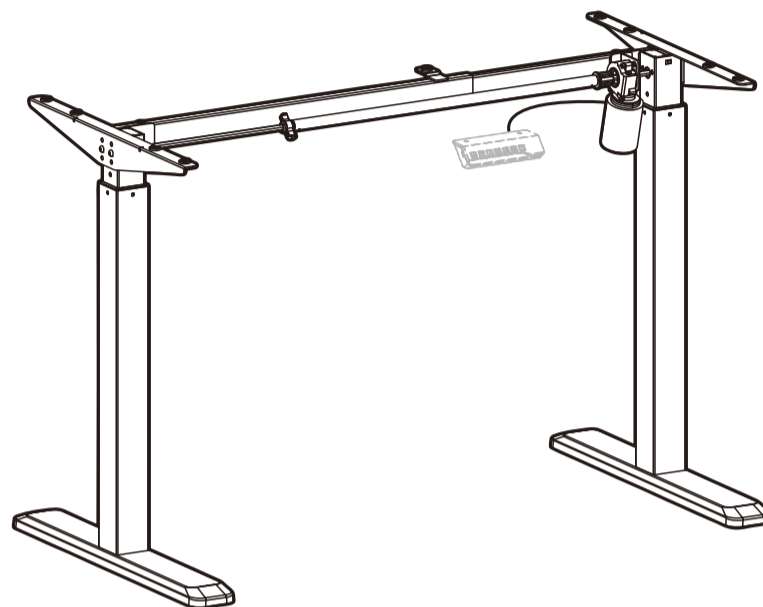


ELECTRIC SIT-STAND DESK

Instruction Manual

S03-22DE



IMPORTANT:

The product is powered by electricity. In order to avoid burns, fire and electric shock, please read the instructions carefully. Failure to read, thoroughly understand, and follow all instructions can result in serious personal injury, damage to equipment, or voiding of factory warranty. Should you ever have any questions or feel you require help please contact your place of purchase for assistance.

Instructions of Safety and Warnings

- Make sure that the mounting surface is strong enough to handle mounted product and equipment.
- **DO NOT EXCEED MAXIMUM LISTED WEIGHT CAPACITY.**
- Always use an assistant or a mechanical lifting device to safely lift and position heavy products.
- Tighten screws firmly, but do not over tighten. Over tightening can cause product damage that greatly reduces the holding power.
- Keep a clear area and distance from moving parts when using the product.
- Use only as intended. Never stand, hang or climb on the product.
- This product is intended for indoor use only.
- Any attempts to reconstruct the construction or alterations of the given power unit and control box aren't allowed.
- This product may contain small items that could be a choking hazard if swallowed. Keep children away unless the product is intended for their use and all instructions and manuals are fully reviewed and understood by them.
- Check that the product is secure and safe to use at regular intervals (at least every three months).

Other Cautions

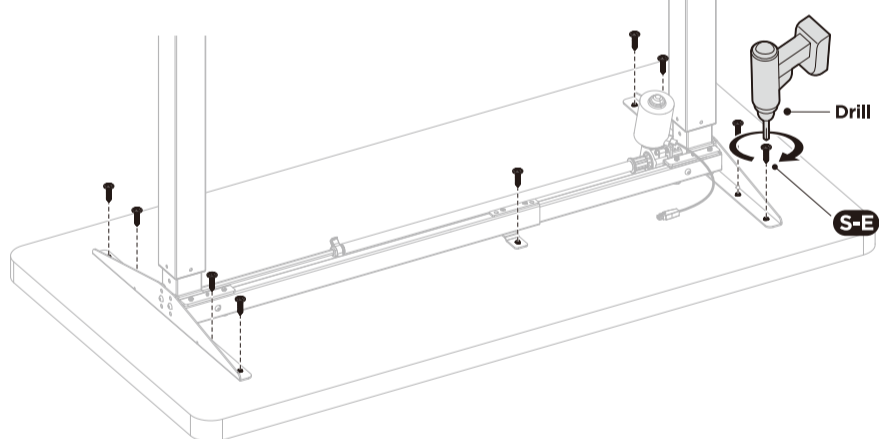
- Don't clean the product with water while the power is still connected.
- Don't disassemble or replace components while the power is still connected.
- Never operate the system with a damaged cord or plug.
- Never operate the system if it's in moist environment or its electrical components have contact with liquids.
- If the control box makes unusual noise or smells, switch off the mains voltage immediately.

Disposal: The product with this mark indicates that this product shouldn't be disposed with other household wastes throughout the EU. To prevent possible harm to the environment or human health from uncontrolled waste disposal, recycle it responsibly to promote the sustainable reuse of material resources. To return your used device, please use the local recycle service or contact your point of purchase to withdraw the product.

The product has been designed to meet Commission Regulation with regard to ecodesign requirements for electric power consumption of low power consumption mode condition of electrical and electronic household equipment.
Mode: Low power consumption mode Power consumption (Watts): ≤0,5W
Automatically enter low power consumption mode period: 1 min

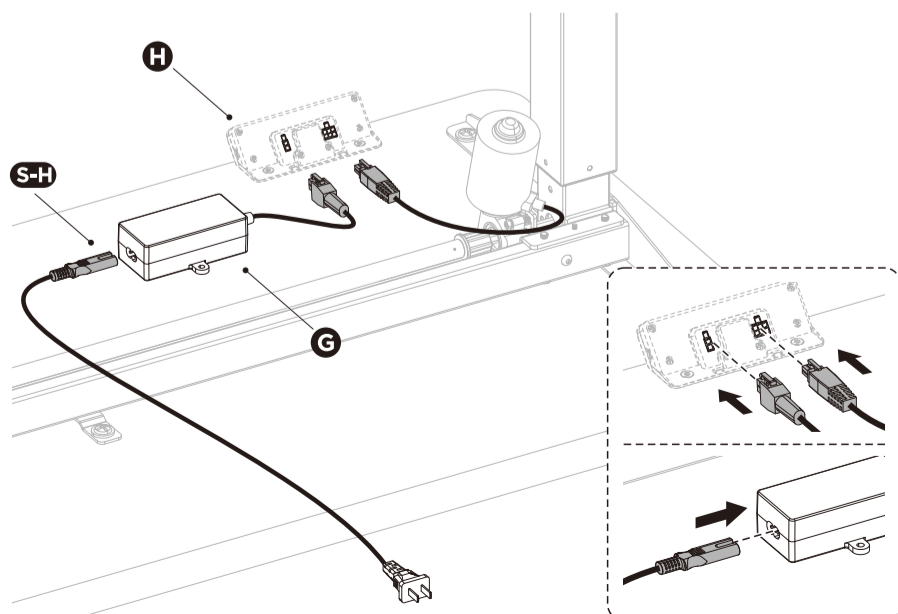
7. Attaching the Desktop

- Attaching the assembled desk frame to the desktop through the mounting holes found on the Side Brackets and Crossbar as shown in the illustration using **9 ST4.2x16 Screws (S-E)**.



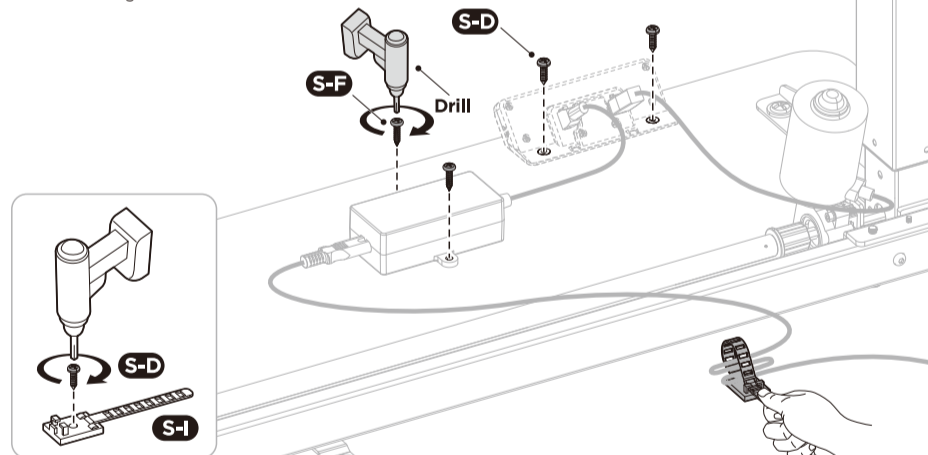
8. Connecting Cords

- Connect the **Controller (H)** with the **AC Adapter (G)** and motor as shown.
 - Insert the **Power Plug (S-H)** into the **AC Adapter**.
- Note:** Do not plug into the power before the desk is fully assembled.



9. Attaching the Controller, AC Adapter and Cable Tie

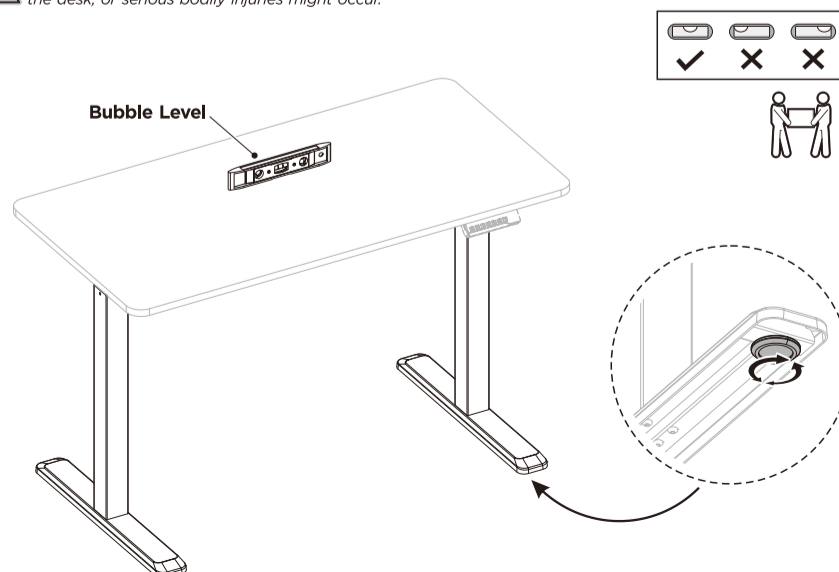
- Attach the **Controller** to the desktop using **2 ST3.5x13 Screws (S-D)**.
- Attach the **AC Adapter** to the desktop using **2 ST4.2x16 Screws (S-F)**.
- Attach the **Cable Tie (S-I)** to the desktop using the **ST3.5x13 Screw (S-D)**, and then organize the cables for a clean look.



10. Adjusting the Desk

- There are two adjustable foot pads under each foot. If the floor isn't even, simply turn the pad to adjust the level to make the desk stable.
- Tip:** Use a bubble level (not included) to check if the desktop is even.

CAUTION: At least two people are required when turning over the desk, or serious bodily injuries might occur.

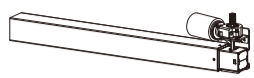


Checklist and Installation

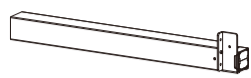
Please check all of the components shown in the component checklist. If any of the components are missing or damaged, contact your point of purchase for a replacement.



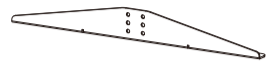
A (x1)
Crossbar



B (x1)
Lifting Column



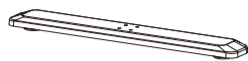
C (x1)
Lifting Column



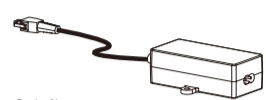
D (x2)
Side Bracket



E (x1)
Sync Rod



F (x2)
Foot



G (x1)
AC Adapter



H (x1)
Controller
The picture of the controller is for your reference only. Actual product may vary.



S-A (x12)
M6x12
Hex Head
Screw



S-B (x2)
M6x25
Hex Head
Screw



S-C (x4)
M6x50
Hex Head
Screw



S-D (x5)
ST3.5x13
Phillips Head
Screw



S-E (x9)
ST4.2x16
Self-Drilling
Screw



S-F (x2)
ST4.2x16
Self-Drilling
Screw



S-G (x9)
Anti-Vibration Pad



S-H (x1)
Power Plug



S-I (x3)
Cable Tie



S-J (x1)
4mm Allen Wrench

What important specifications should know before installation?

Power Input
(100-240V)

Operation Temperature
(-5°C~+40°C)

Weight Capacity
80kg (176lbs)

What tools are needed to assemble the desk frame?

Bubble Level

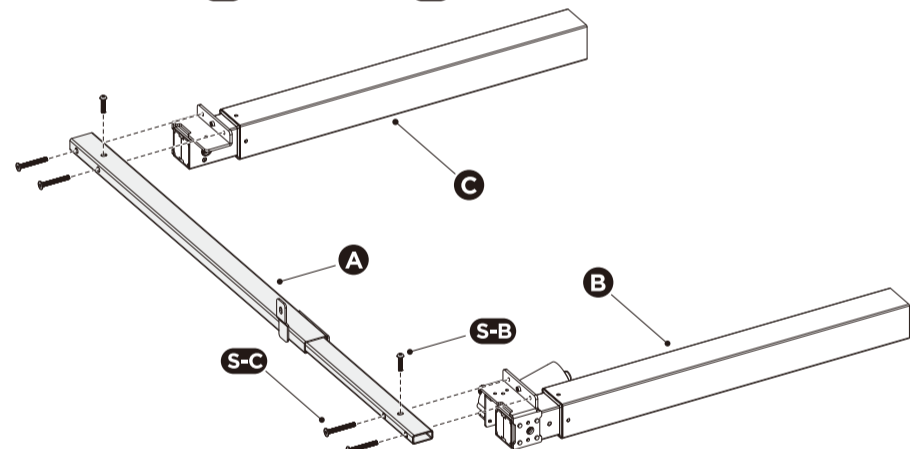
Allen Wrench
(Included)

Drill

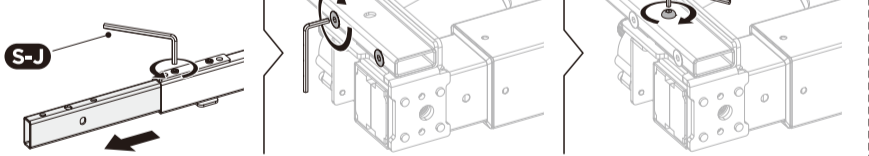
Phillips Screwdriver

1. Attaching the Crossbar

- Turn over the desk frame with the crossbar facing up.
- Attach the **Crossbar A** to the **Lifting Columns B/C** using 4 **M6x50 Screws S-C** and 2 **M6x25 Screws S-B** as shown in the illustration.

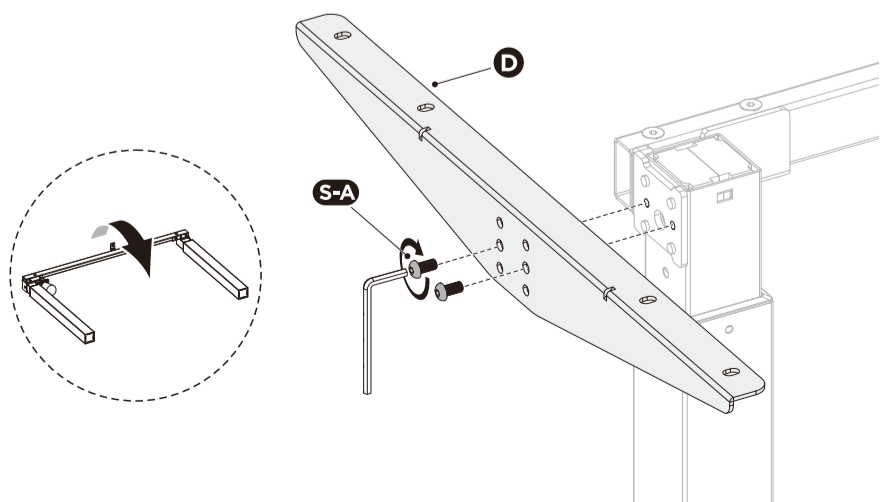


- Loosen the hex head screws that fix the adjustable junction, but don't completely take out the screws.



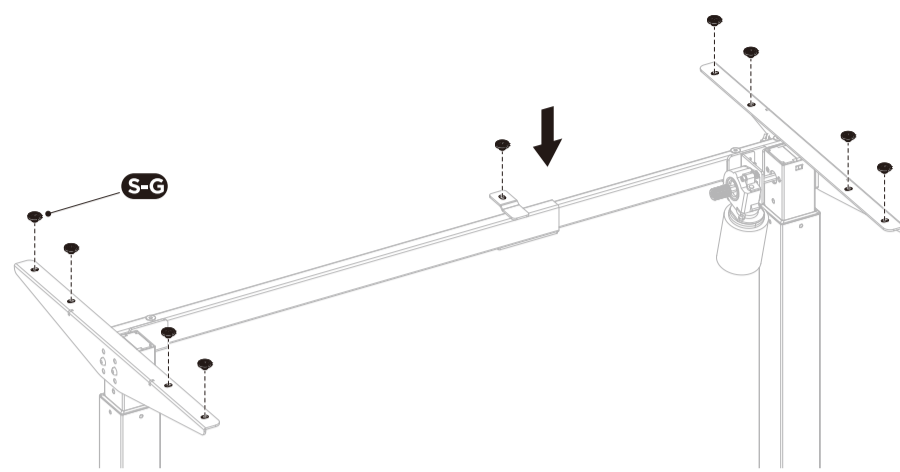
2. Attaching the Side Brackets

- Attach the **Side Bracket D** to the **Lifting Column** using 2 **M6x12 Screws S-A**.
- Repeat the same process to attach the other side bracket.



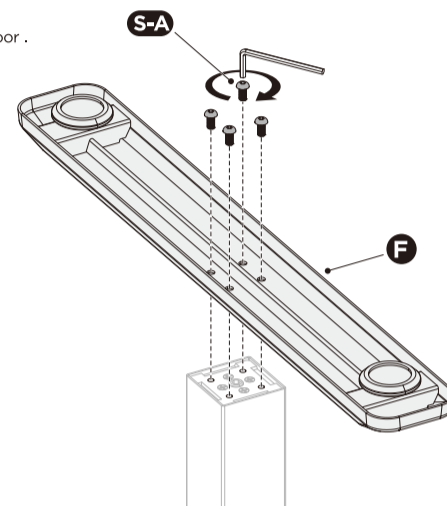
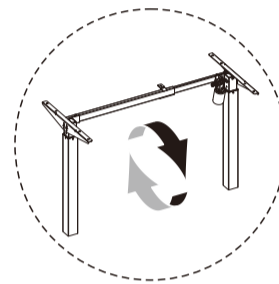
3. Attaching the Anti-Vibration Pads

- Attach the **Anti-Vibration Pads S-G** to the surface of the crossbar on the nine positions as shown.



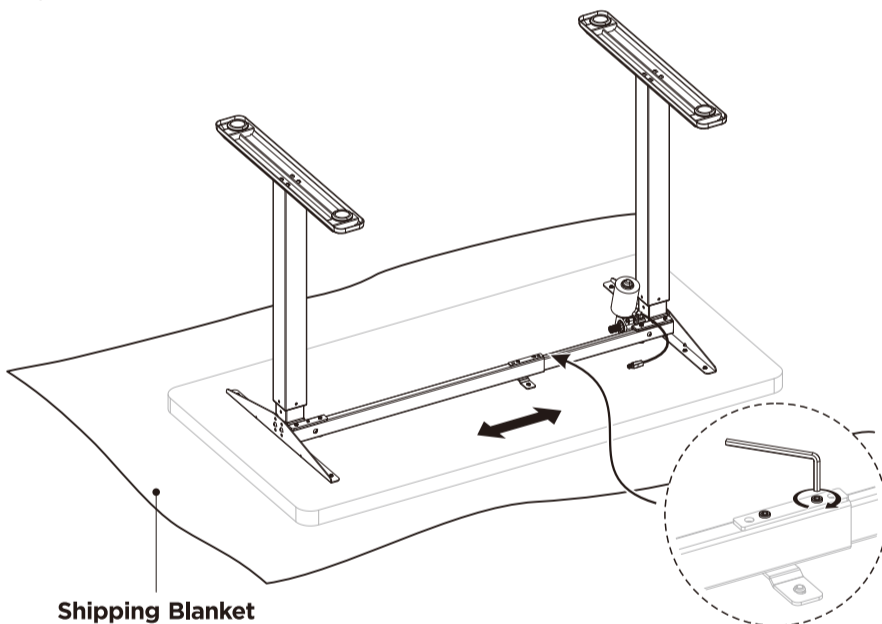
4. Attaching the Feet

- Place the **Lifting Column B/C** upside down on the floor.
- Attaching the **Foot F** to the **Lifting Column** using 4 **M6x12 Screws S-A**.
- Repeat the same process to attach the other foot.



5. Adjusting the Frame

- Carefully place the desktop (not included) upside down on the blanket/floor.
- Place the frame on the desktop as shown below.
- Adjust the crossbar to the size of the desktop. Ensure that the frame is placed in the center of the desktop.
- Tighten the screws on the crossbar.



6. Attaching the Sync Rod

- Turn the knob as shown to loosen and adjust the **Sync Rod E**.
- Insert both ends of **Sync Rod E** into holes found on the desk frame as shown in the illustration.
- Tighten the knob.

