

ELECTRIC SIT-STAND DESK

Instruction Manual

M08-23DE






IMPORTANT:

The product is powered by electricity. In order to avoid burns, fire and electric shock, please read the instructions carefully. Failure to read, thoroughly understand, and follow all instructions can result in serious personal injury, damage to equipment, or voiding of factory warranty. Should you ever have any questions or feel you require help please contact your place of purchase for assistance.

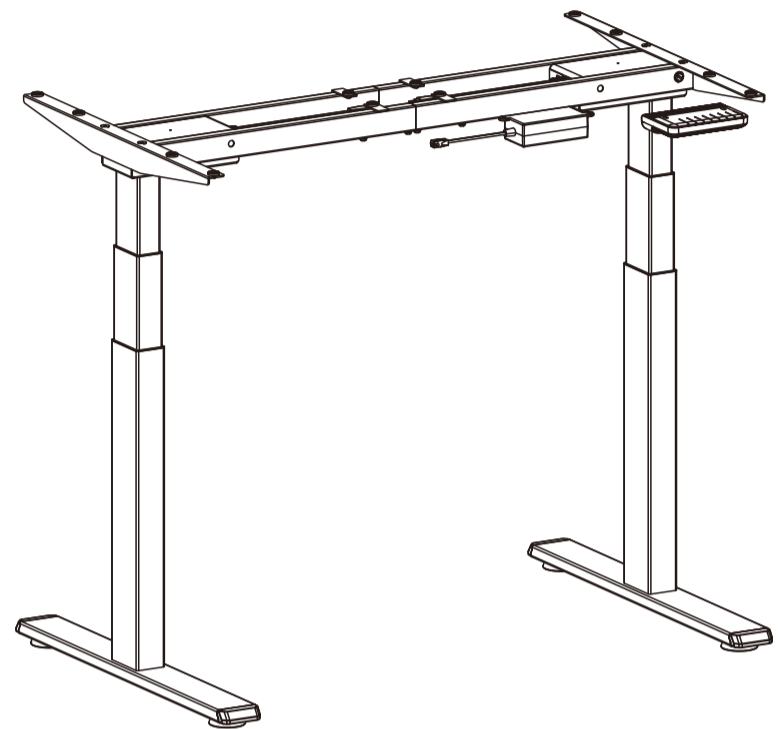
Instructions of Safety and Warnings

- Make sure that the mounting surface is strong enough to handle mounted product and equipment.
- **DO NOT EXCEED MAXIMUM LISTED WEIGHT CAPACITY.**
- Always be sure to have someone assist you or a mechanical device to lift and position heavy products safely.
- Tighten screws firmly, but do not over tighten. Over tightening can cause product damage that greatly reduces the holding power.
- Keep a clear area and distance from moving parts when using the product.
- Use only as intended. Never stand, hang or climb on the product.
- This product is intended for indoor use only.
- Any attempts to reconstruct the construction or alterations of the given power unit and control box aren't allowed.
- This product may contain small items that could be a choking hazard if swallowed. Keep children away unless the product is intended for their use and all instructions and manuals are fully reviewed and understood by them.
- Check that the product is secure and safe to use at regular intervals (at least every three months).

Other Cautions

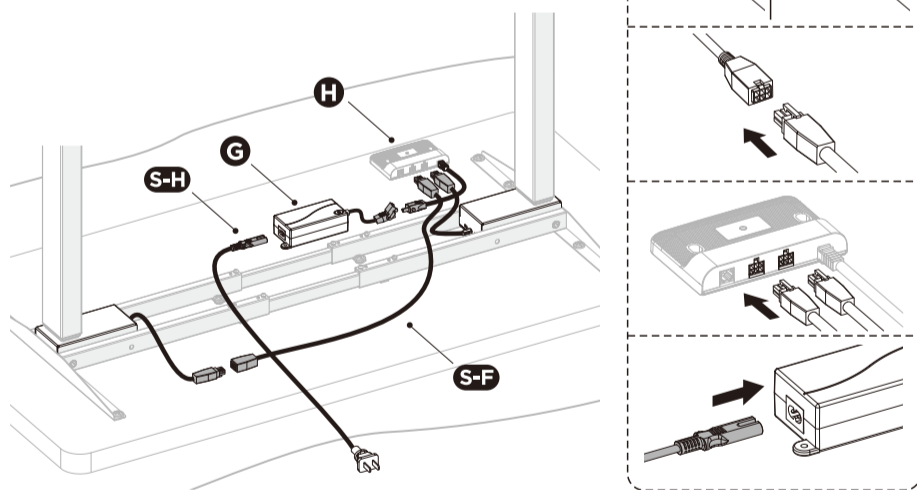
-  Don't clean the product with water while the power is still connected.
 -  Don't disassemble or replace components while the power is still connected.
 -  Never operate the system with a damaged cord or plug.
 -  Never operate the system if it's in moist environment or its electrical components have contact with liquids.
 -  If the control box makes unusual noise or smells, switch off the mains voltage immediately.
- Disposal:** The product with this mark indicates that this product shouldn't be disposed with other household wastes throughout the EU. To prevent possible harm to the environment or human health from uncontrolled waste disposal, recycle it responsibly to promote the sustainable reuse of material resources. To return your used device, please use the local recycle service or contact your point of purchase to withdraw the product.

The product has been designed to meet Commission Regulation with regard to ecodesign requirements for electric power consumption of Standby mode condition of electrical and electronic household equipment.
Mode: Standby mode Power consumption (Watts): ≤0.5W
The period after which the equipment automatically enters standby mode is 10 minutes.



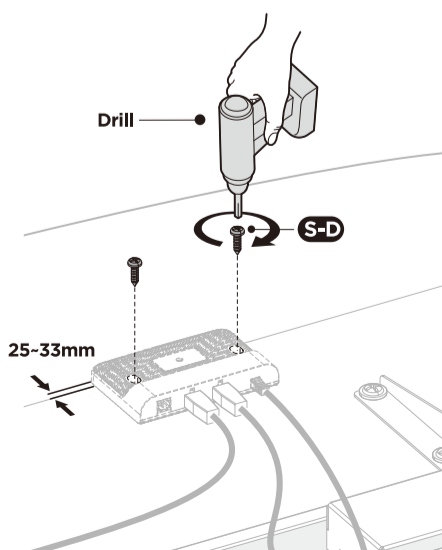
6. Connecting Cords

- Connect the **Controller (H)** with the **AC Adapter (G)** as shown.
 - Connect the Controller with **2 Lifting Columns**. Use the **Power Cable (S-F)** for the **Lifting Column** on the far side.
 - Insert the **Power Plug (S-H)** into the **AC Adapter**.
- Note:**
 • Do not plug into the power before the desk is fully assembled.



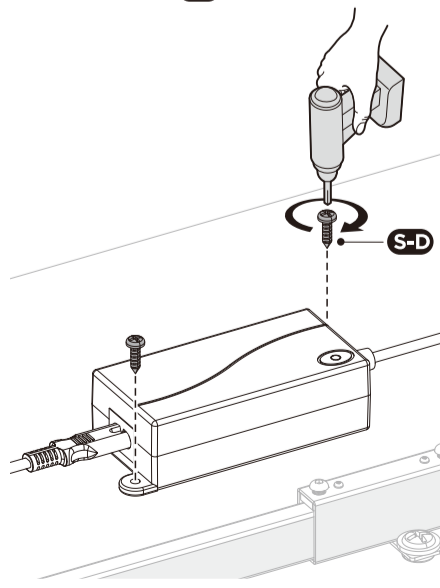
7. Attaching the Controller

- Attach the **Controller** to the desktop using **2 ST4.2x16 Screws (S-D)**.



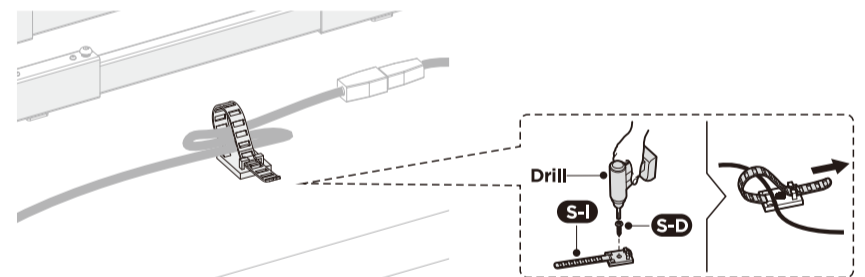
8. Attaching the AC Adapter

- Attach the **AC Adapter** to the desktop using **2 ST4.2x16 Screws (S-D)**.



9. Cable Management

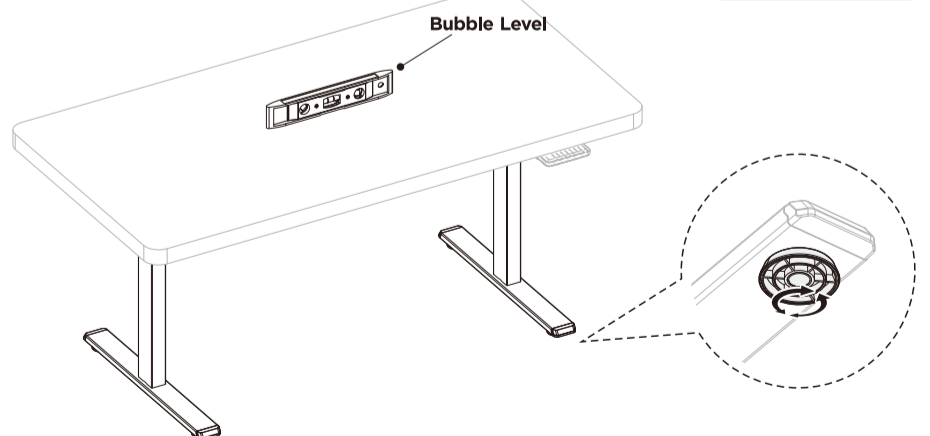
- Run the cables through the **Cable Clips (S-I)** and attach the **Cable Clips** to the desktop with **ST4.2x16 Screws (S-D)** to ensure clean and neat surface.



10. Adjusting the Desk

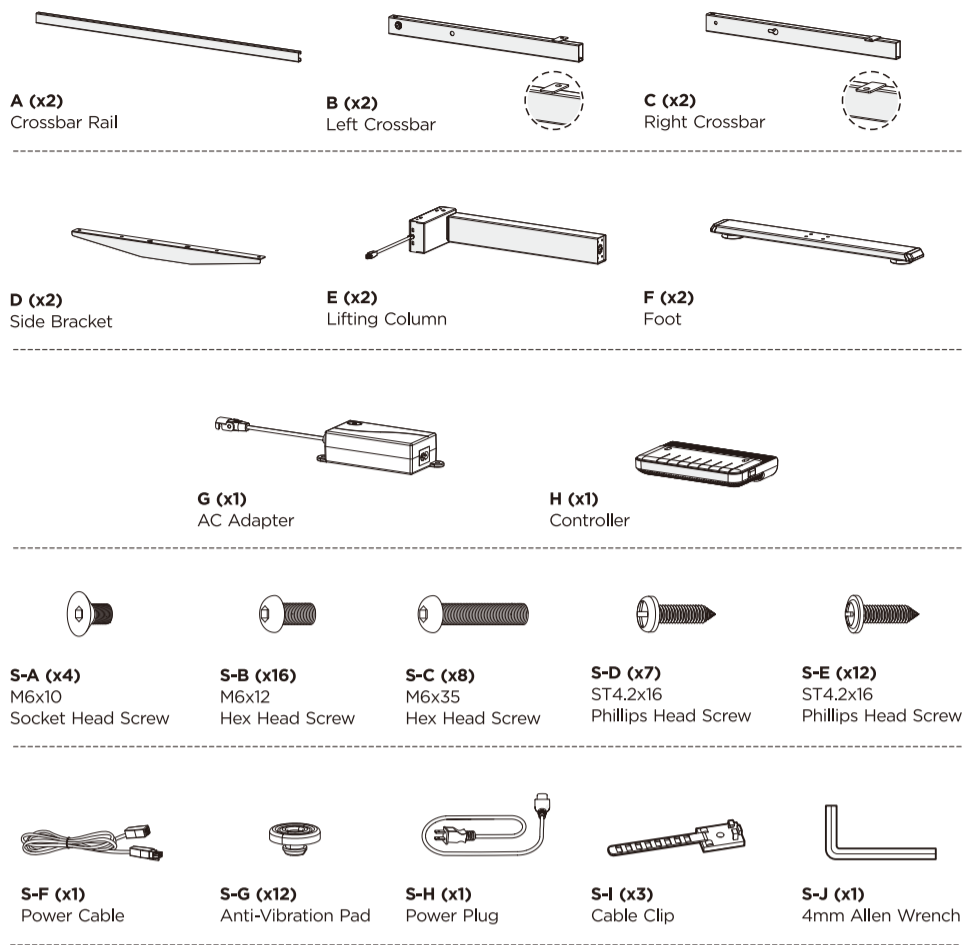
- Turn over the desk with the help of another person.
 - There are two adjustable foot pads under each foot. If the floor isn't even, simply turn the pad to adjust the level to make the desk stable.
- Tip:** Use a bubble level (not included) to check if the desktop is even.
- Using the desk for the first time, you will need to **reset the system**. Please refer to **Digital Control Panel User Guide**.

CAUTION: At least two people are required when turning over the desk, or serious bodily injuries might occur.

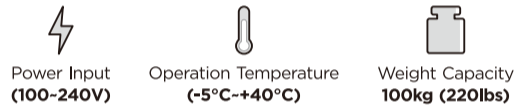


Checklist and Installation

Please check all of the components shown in the component checklist. If any of the components are missing or damaged, contact your point of purchase for a replacement.



What important specifications should know before installation?

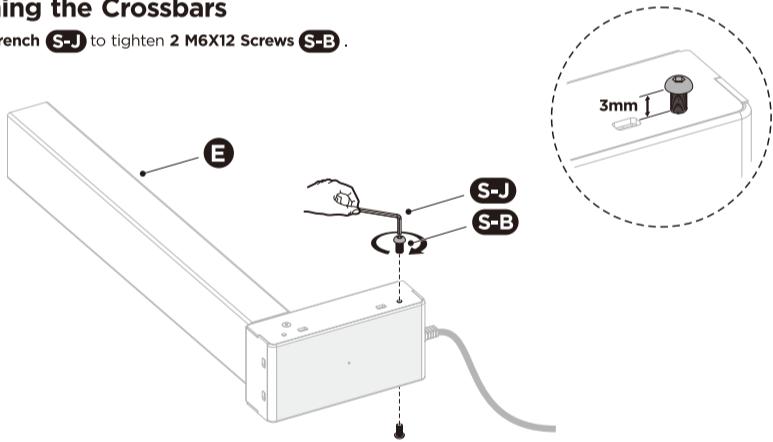


What tools are needed to assemble the desk frame?

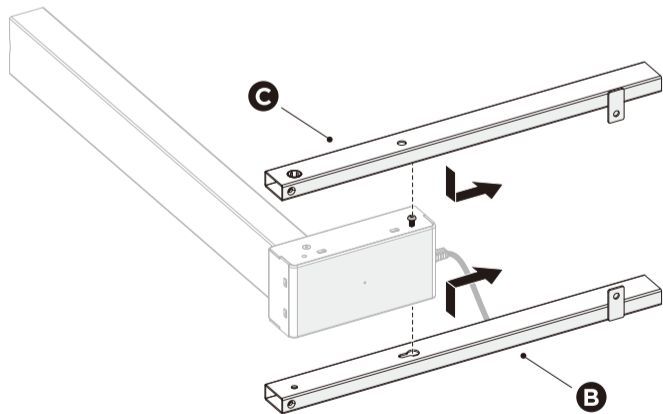


1. Attaching the Crossbars

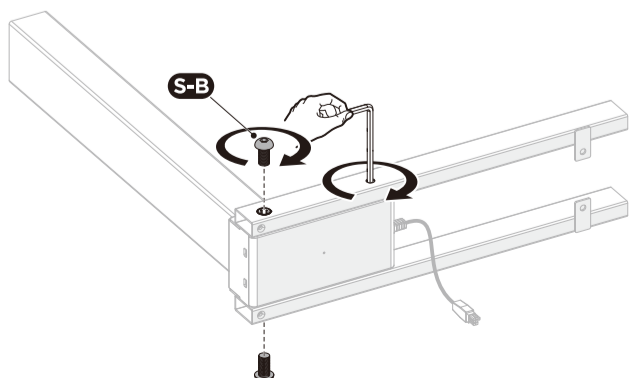
- Use **Allen Wrench (S-J)** to tighten **2 M6X12 Screws (S-B)**.



- Attach the **Left Crossbar (B)** and the **Right Crossbar (C)** to the **Lifting Column (E)** as shown below.

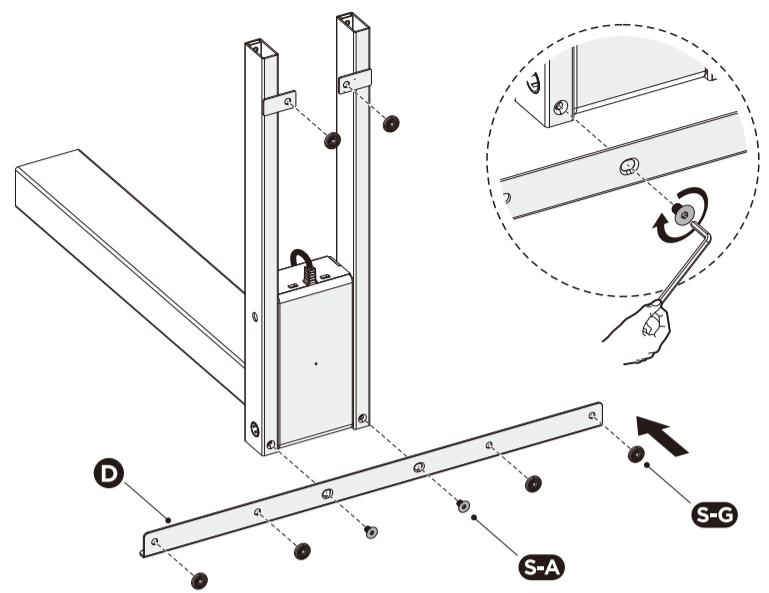


- Secure the crossbar using **2 M6X12 Screws (S-B)** and tighten all the screws on the crossbar.
- Repeat the same process to attach the other two crossbars on the other side.



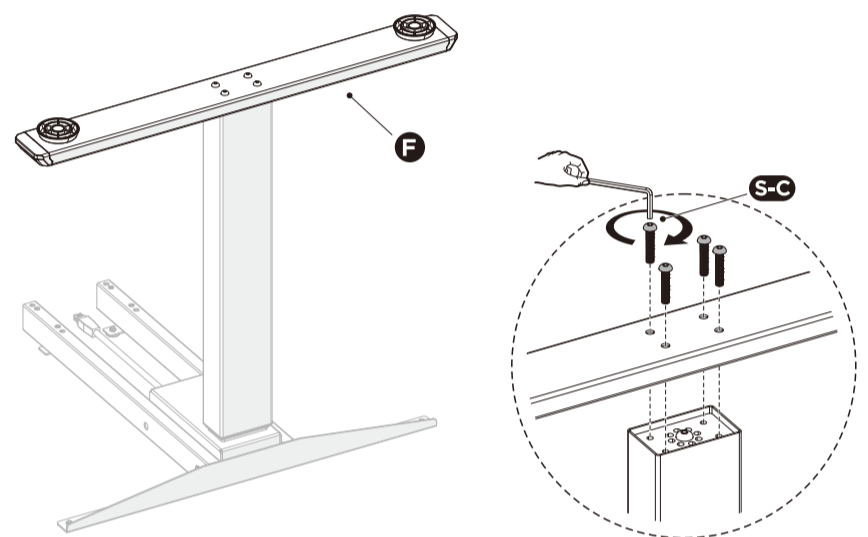
2. Attaching the Side Brackets

- Attach each **Side Bracket (D)** to the **Lifting Column (E)** using **2 M6x10 Screws (S-A)**.
- Attach **6 Anti-Vibration Pads (S-G)** to the **crossbars** and **Side Bracket (D)** as shown below.
- Repeat the same process to attach the other side bracket.



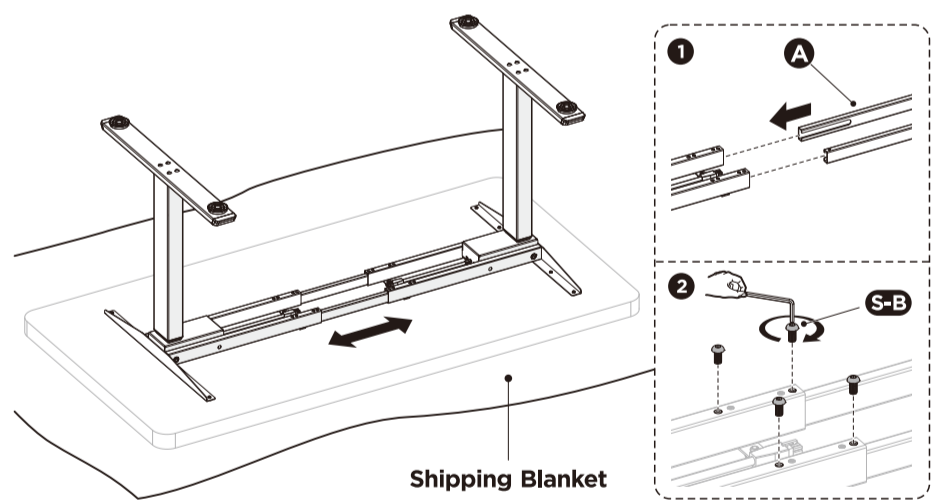
3. Attaching the Feet

- Attaching the **Foot (F)** to the **Lifting Column (E)** using **4 M6x35 Screws (S-C)**.
- Repeat the same process to attach the other foot.



4. Adjusting the Frame and Attaching the Crossbar Rail

- Carefully place the **desktop (not included)** upside down on the **blanket/floor**.
- Place the legs one on each side of the top as shown below.
- Adjust the crossbar to the size of the desktop. Ensure that the frame is placed in the center of the desktop.
- Attach the **Crossbar Rails (A)** as shown below.
- Secure the frame using **4 M6X12 Screws (S-B)**.
- Tighten the screws on the crossbar.



5. Drilling to the Desktop

- Attaching the assembled desk frame to the desktop through the mounting holes found on the **Side Brackets (D)** and **Crossbars (A)** as shown in the illustration using **12 ST4.2x16 Screws (S-E)**.

