

MOUNTS-IN

Instruction Manual

# POP-OUT VIDEO WALL MOUNT

**8**

Note: Use the plastic locking piece to measure and keep a 1 mm gap between displays.

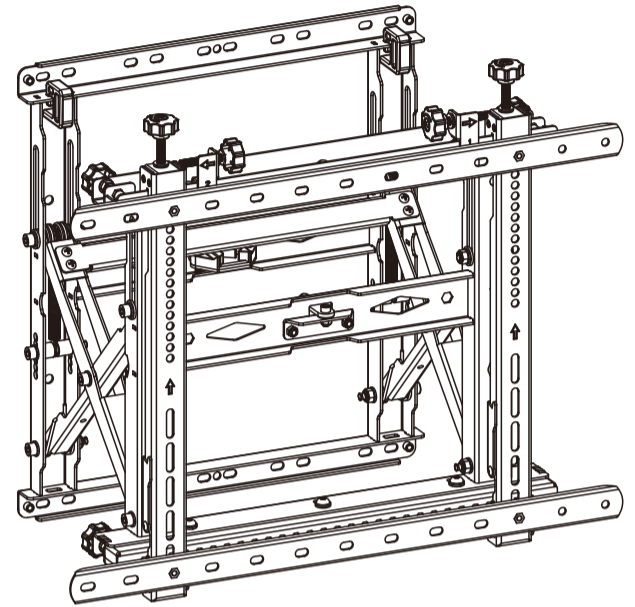
Note: Install/adjust the displays by the numerical order given.

**9**

Kickstands provide tilt access for easy cable management and maintenance.

**10**

Use a padlock to prevent the display from being stolen (The padlock is not included).



**LVW13-46T**

VESA Compatible  
200x200 300x200 400x200  
300x300 400x300  
400x400 600x400

**70"**  
MAX

**70kg**  
(154lbs)  
RATED

**5**

Use a padlock to prevent the display from being stolen (The padlock is not included).

**6**

**LEFT**

**RIGHT**

**7**

