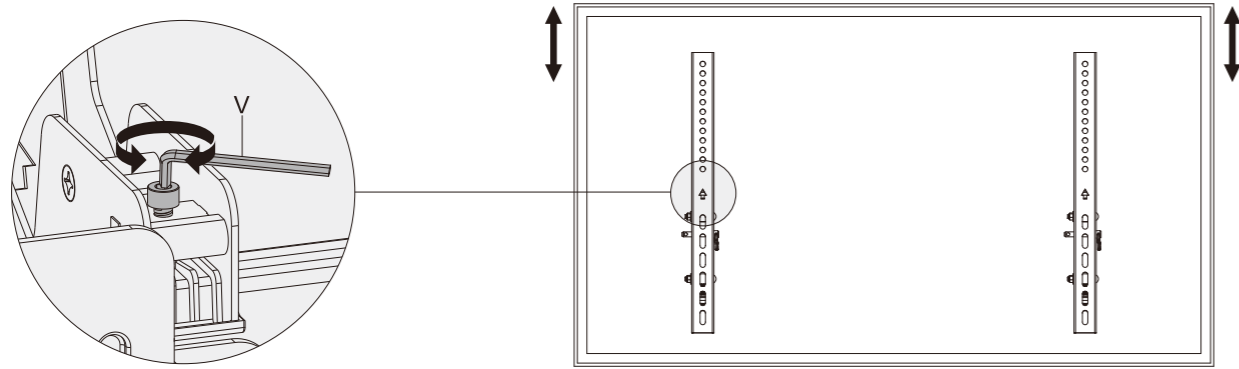
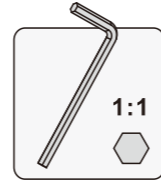
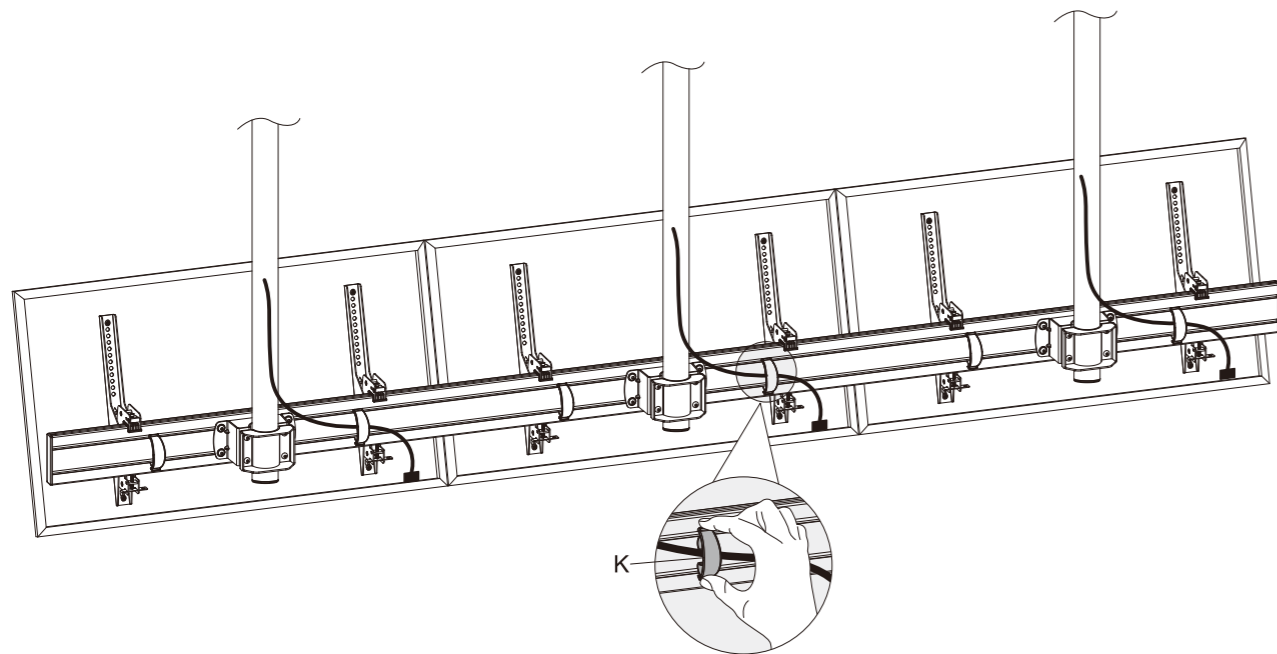


## 12. Level Adjustment



## 13. Cable Management



### Maintenance

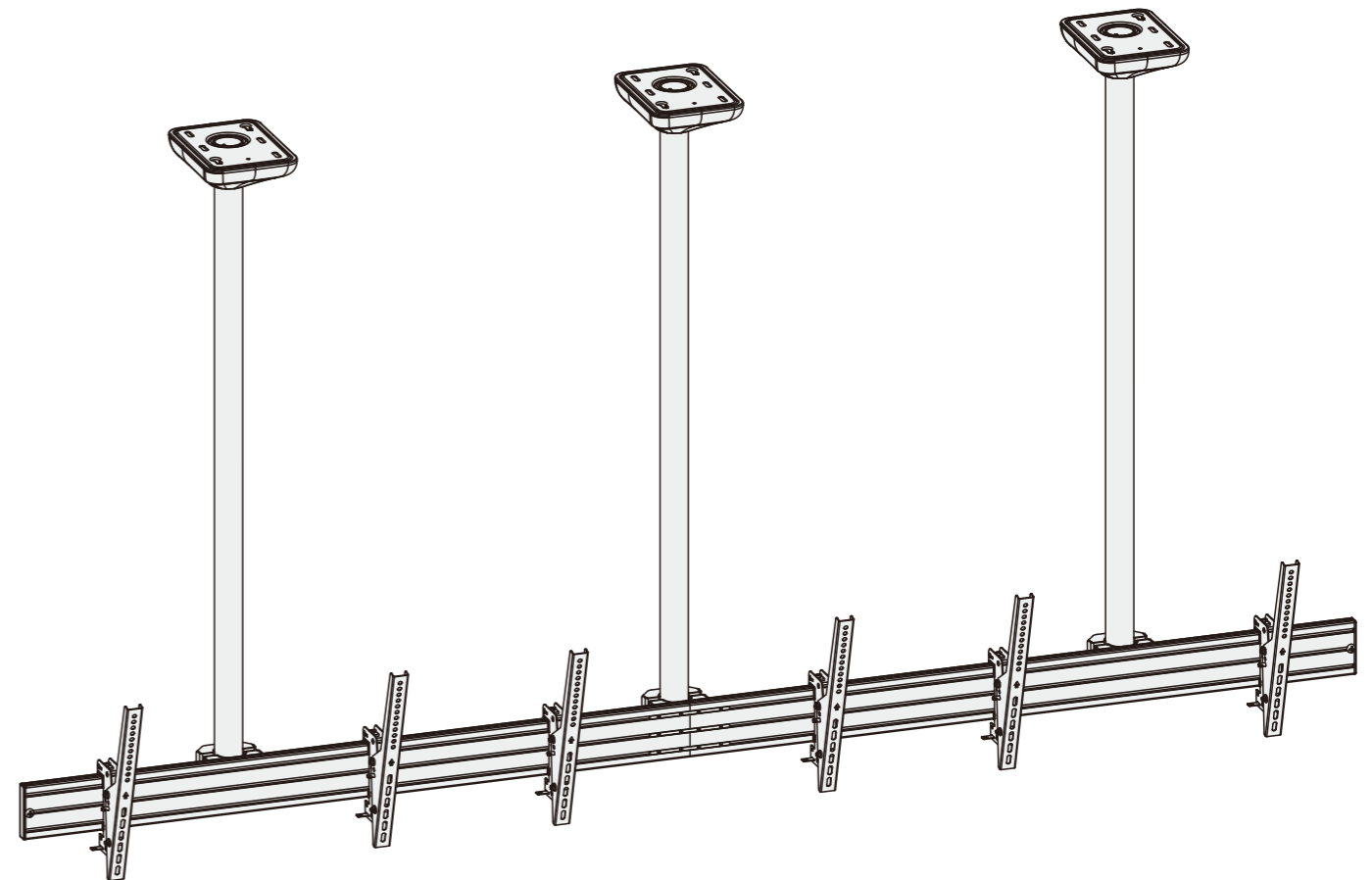
- Check that the bracket is secure and safe to use at regular intervals (at least every three months).

Manufactured in China by Brateck for MOUNTS-IN GROUP MB

[www.mounts-in.lt](http://www.mounts-in.lt) | [www.mounts-in.lv](http://www.mounts-in.lv) | [www.mounts-in.ee](http://www.mounts-in.ee) | [www.mounts-in.com](http://www.mounts-in.com)

MOUNTS-IN

# MENU BOARD CEILING MOUNT



INSTALLATION MANUAL

**LVC03-346TL-03**

VESA Compatible  
200x200/300x300  
400x200/400x400  
600x400

50"  
MAX

rated  
50kgx3/110lbsx3

**Read the entire instruction manual before you start installation and assembly. If you have any questions regarding any of the instructions or warnings, please contact your local distributor for assistance.**

## CAUTION

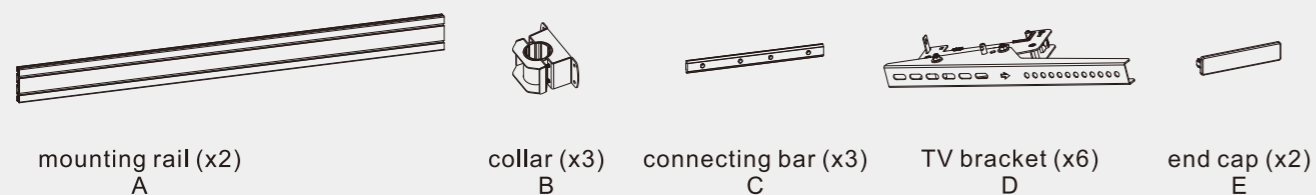
- Use with products heavier than the rated weights indicated may result in instability causing possible injury.
- Please closely follow the assembly instructions. Improper installation may result in damage or serious personal injury.
- Safety gear and proper tools must be used. This product should only be installed by professionals.
- This product is designed to be installed on concrete ceiling only.
- Make sure that the supporting surface will safely support the combined weight of the equipment and all attached hardware and components.
- Use the mounting screws provided and **DO NOT OVER TIGHTEN** mounting screws.
- This product contains small items that could be a choking hazard if swallowed. Keep these items away from children.
- This product is intended for indoor use only. Using this product outdoors could lead to product failure and personal injury.

## Required for Installation

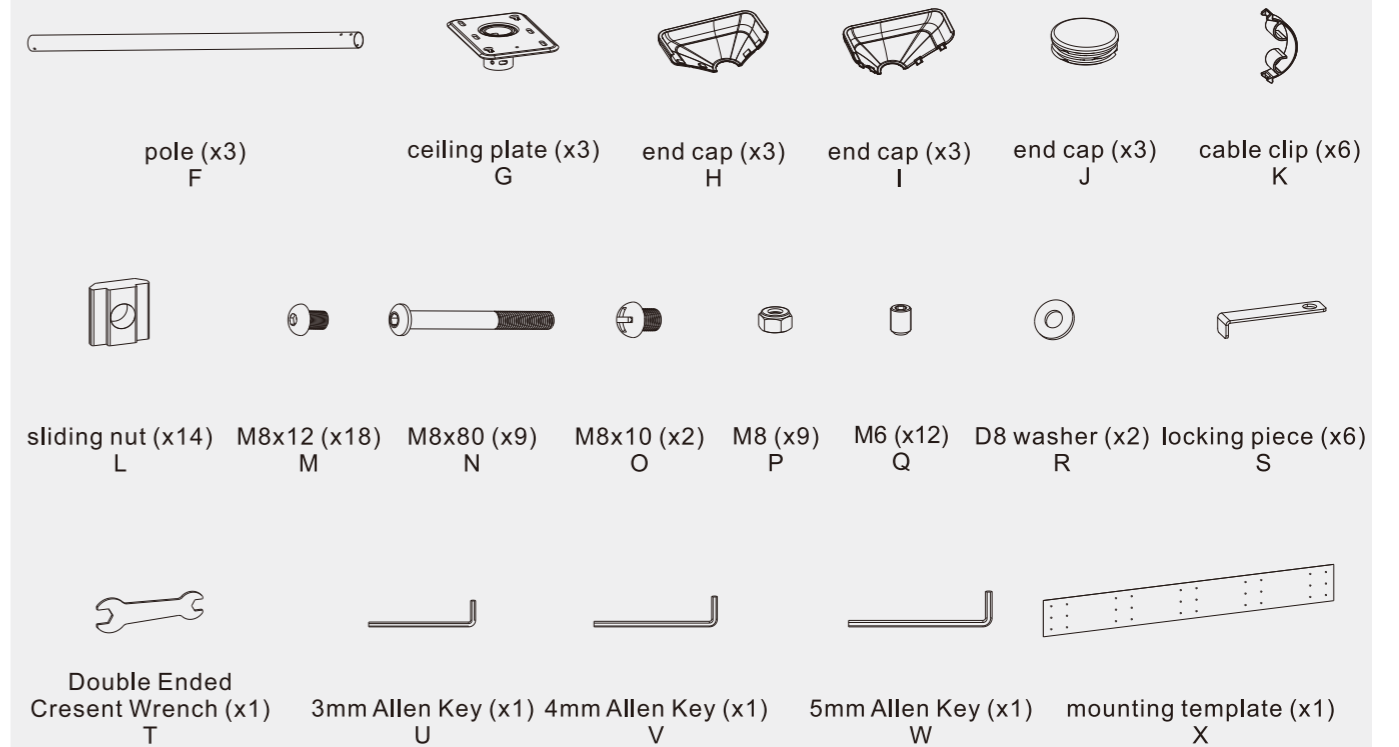


## Component Checklist

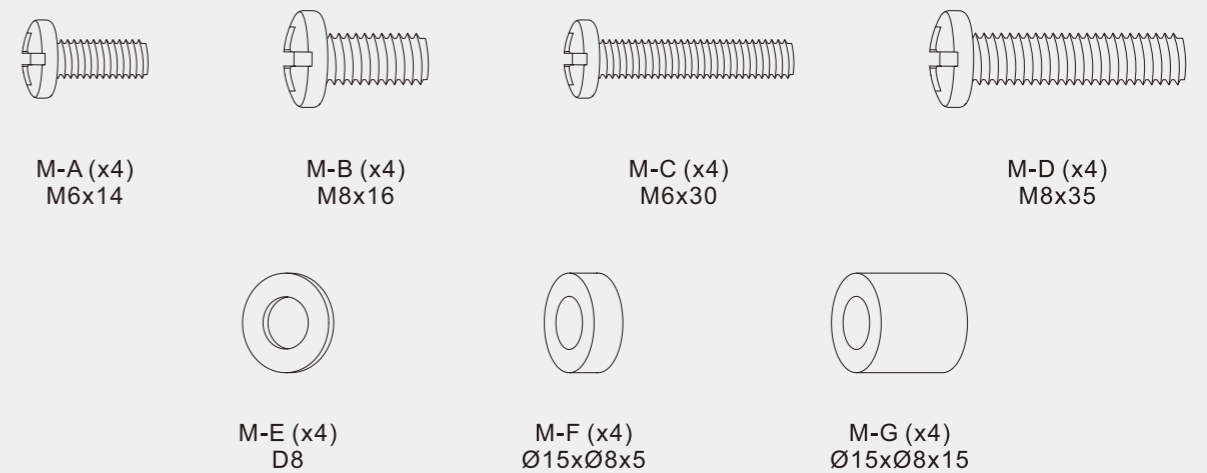
**IMPORTANT:** Ensure that you have received all parts according to the component checklist prior to installation. If any parts are missing or faulty, contact your place of purchase for a replacement.



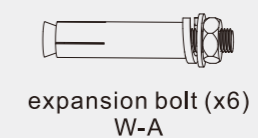
## Component Checklist



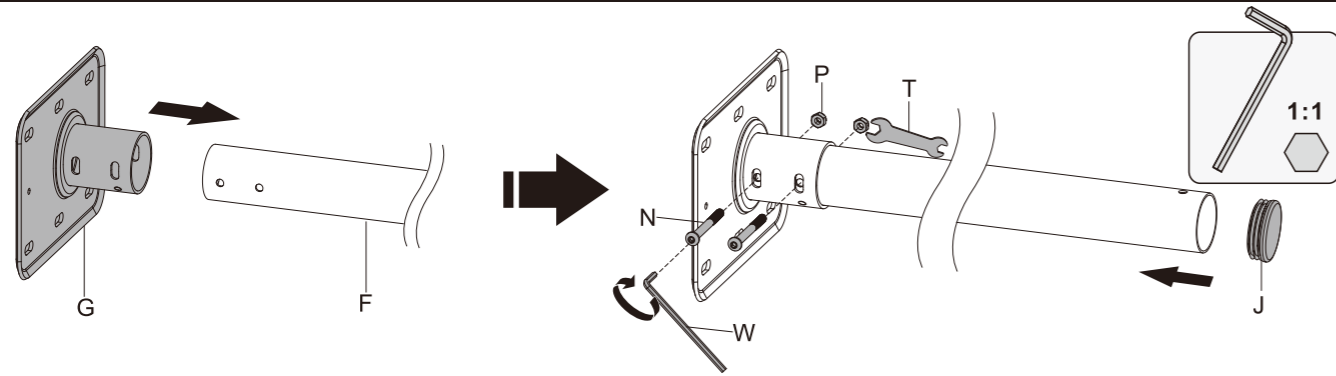
## Package M x3



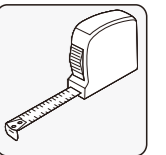
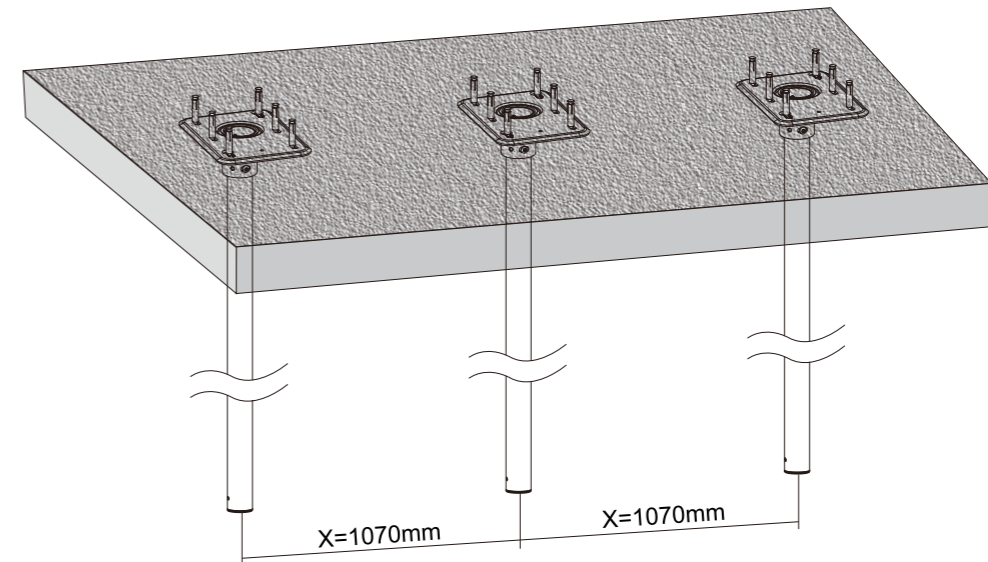
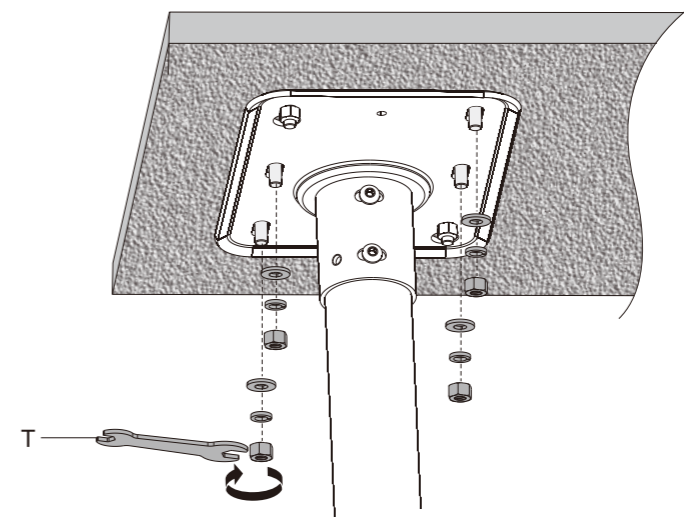
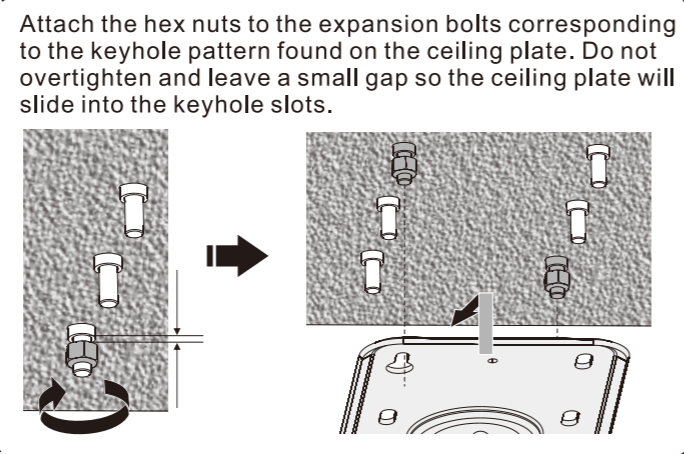
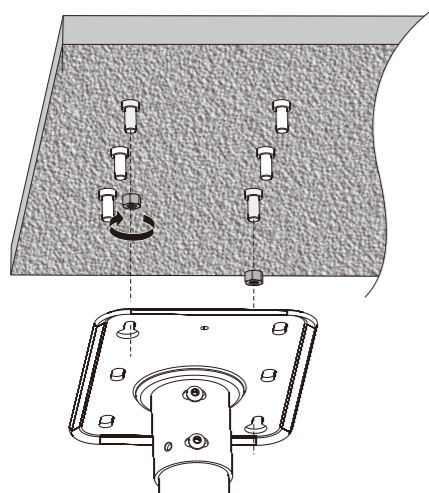
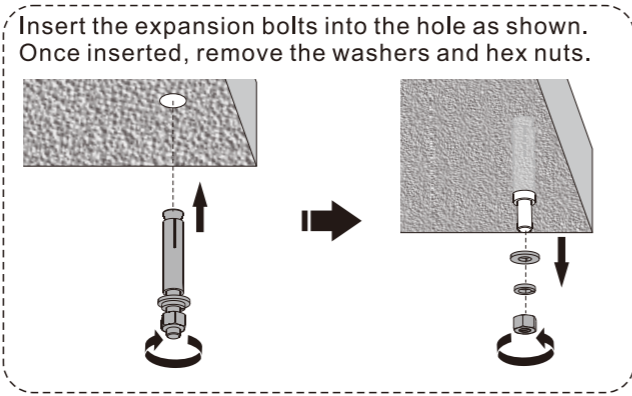
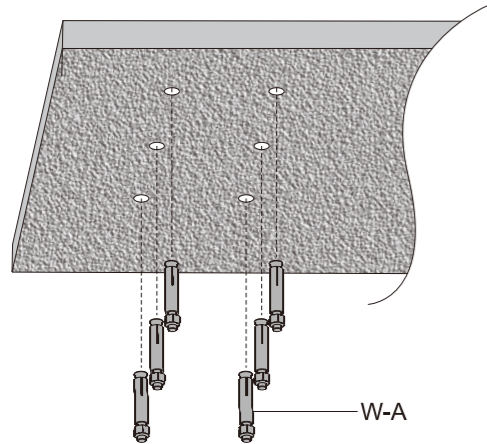
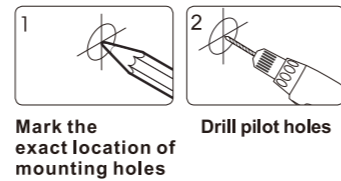
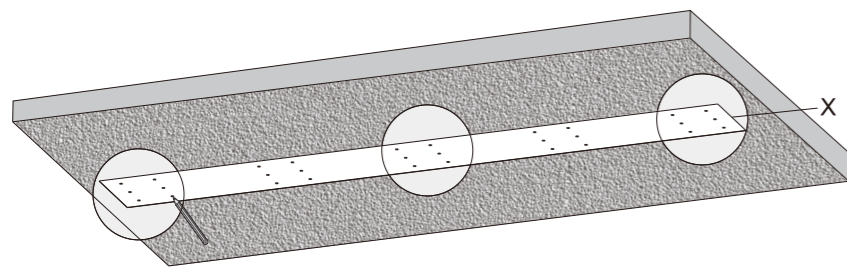
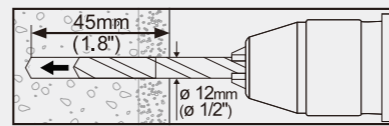
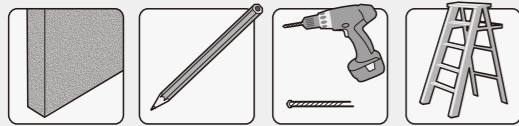
## Package W x3



## 1. Assemble the Pole



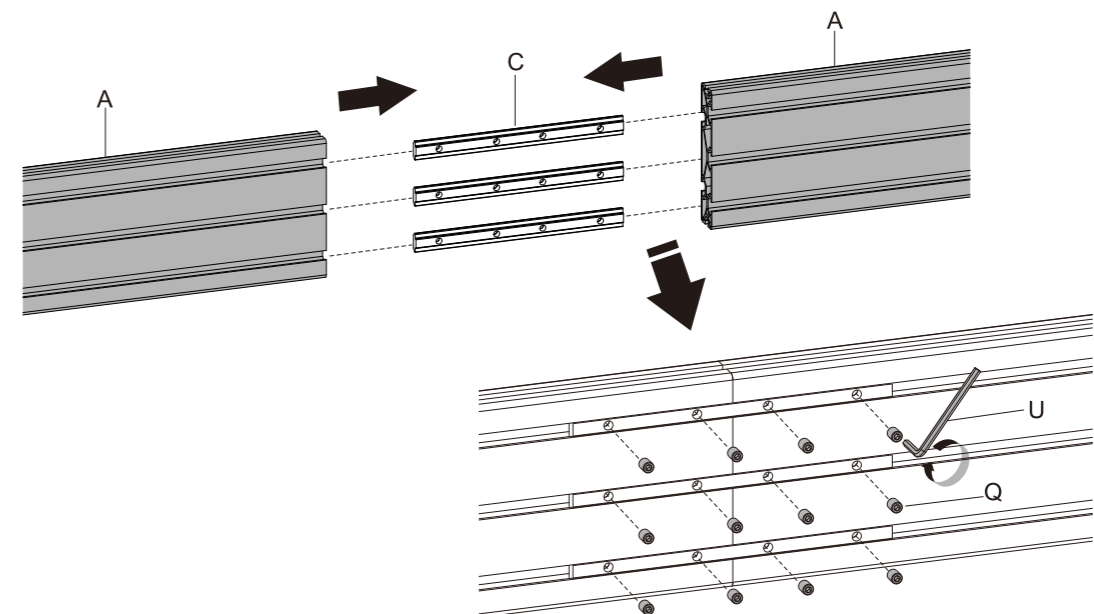
## 2. Attach Ceiling Plate to the Concrete Ceiling



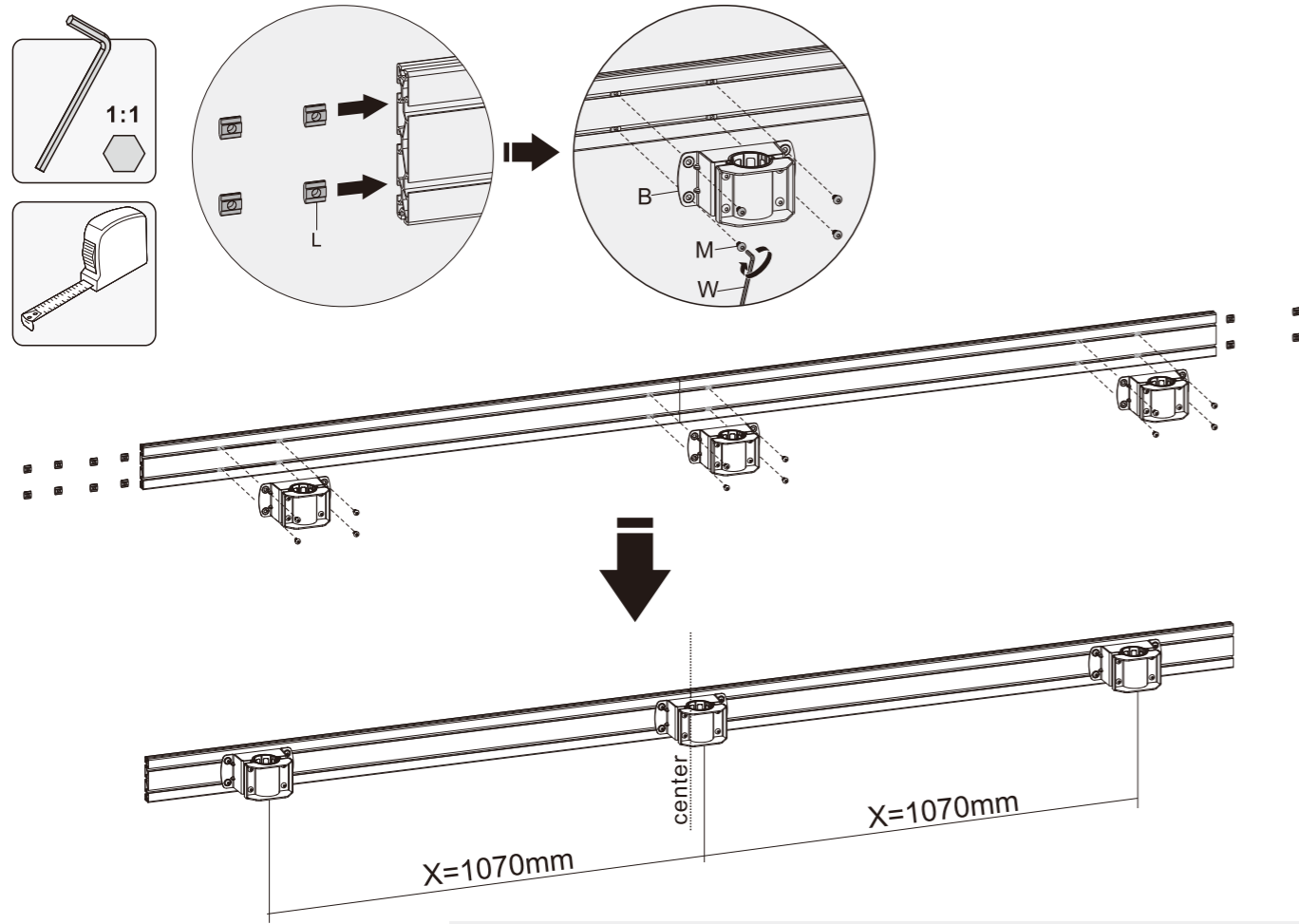
## ! WARNING

Installers must verify that the supporting surface will safely support the combined weight of the equipment and all attached hardware and components.

## 3. Extend the Mounting Rail

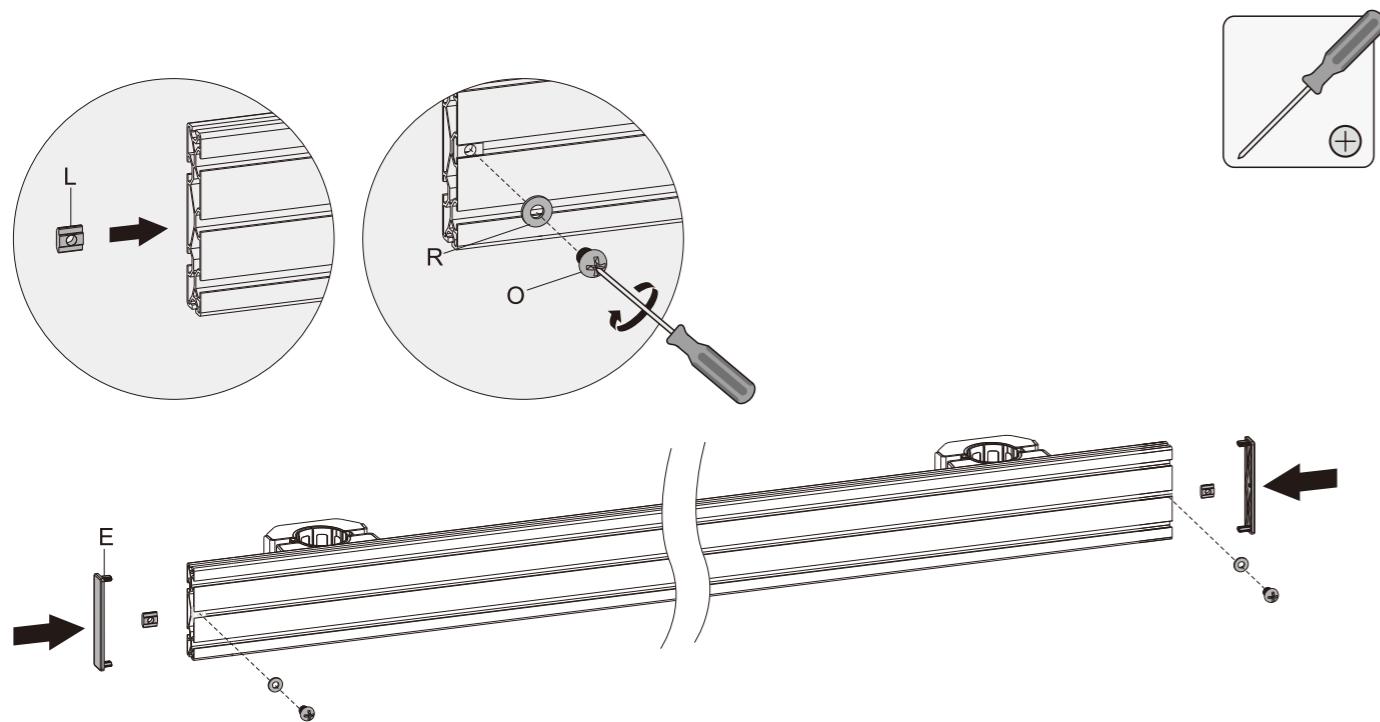


#### 4. Attach Collar to the Mounting Rail

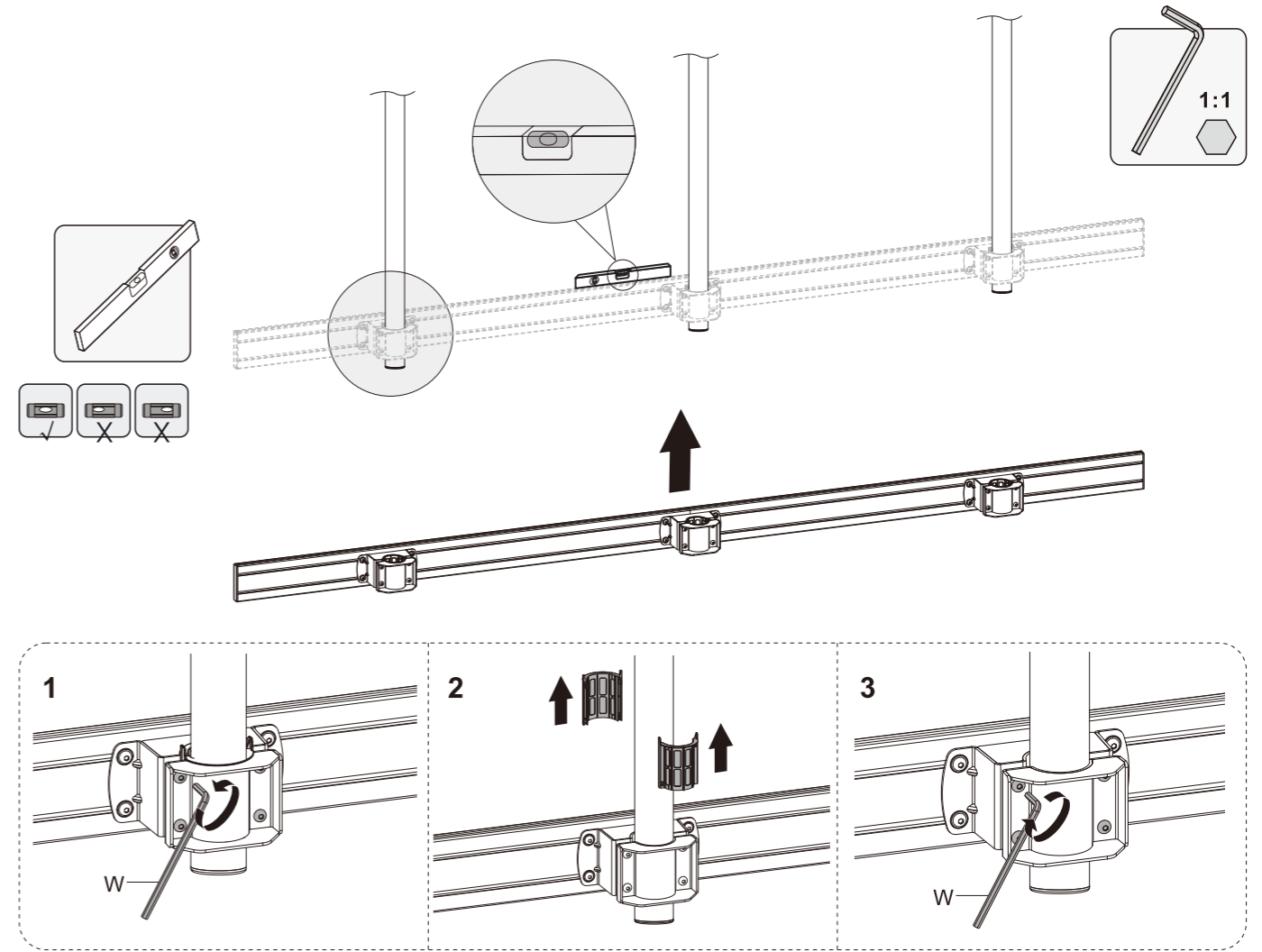


**Note:** • Keep the mounting direction of collars are the same.  
• Ensure the gap between the collar halves on both sides are equal.

#### 5. Install the End Cap

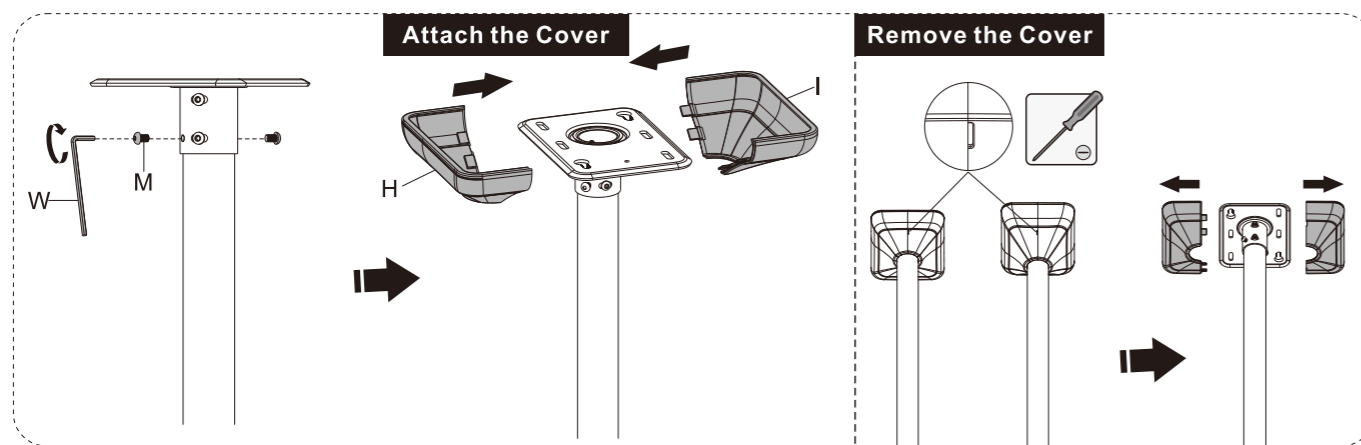
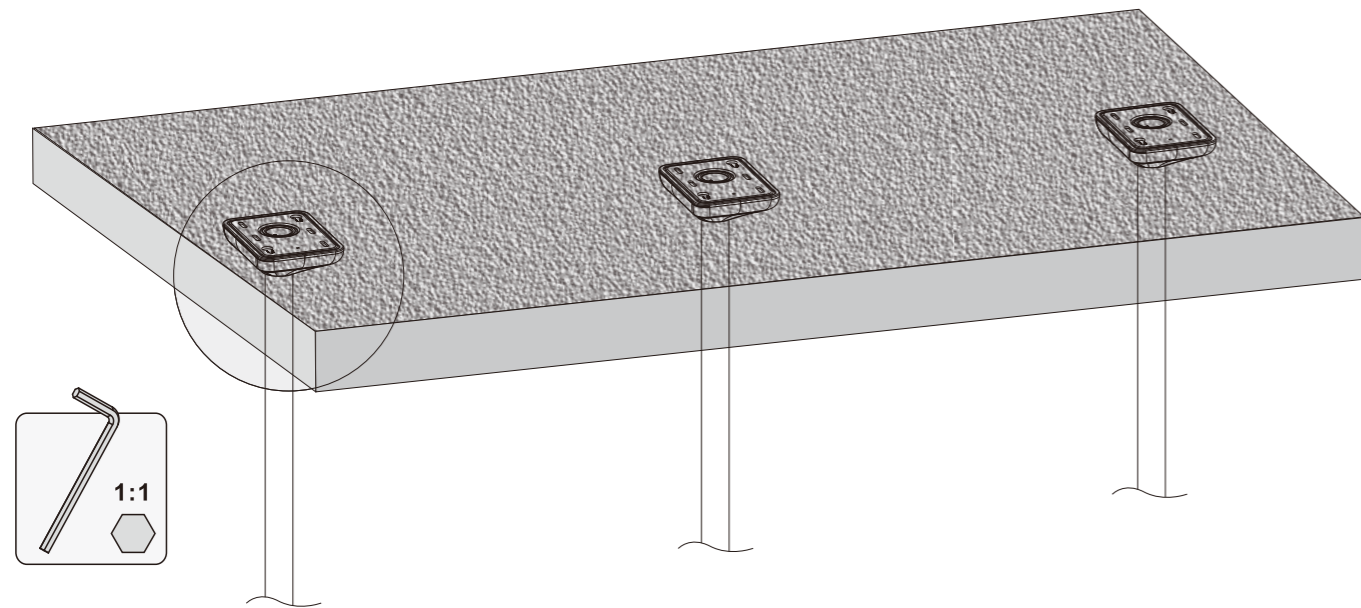


#### 6. Attach Mounting Rail to Pole

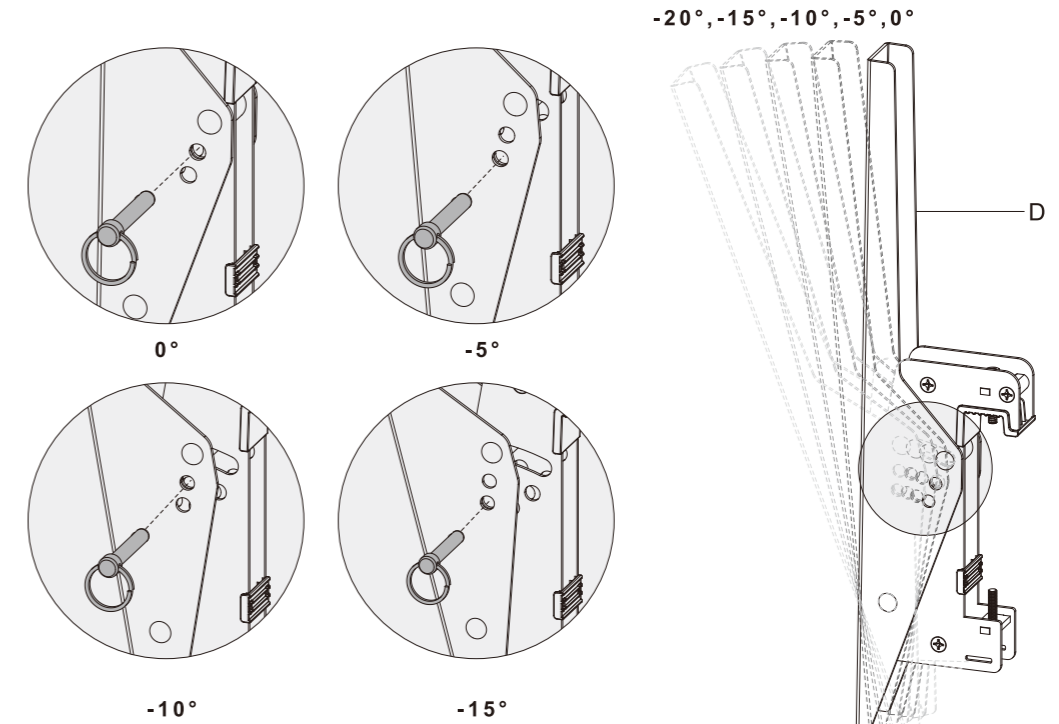


Once the rail has been determined, firmly tighten the bottom rail to the mounting poles as shown prior to mounting the displays.

## 7. Install the Plastic Cover



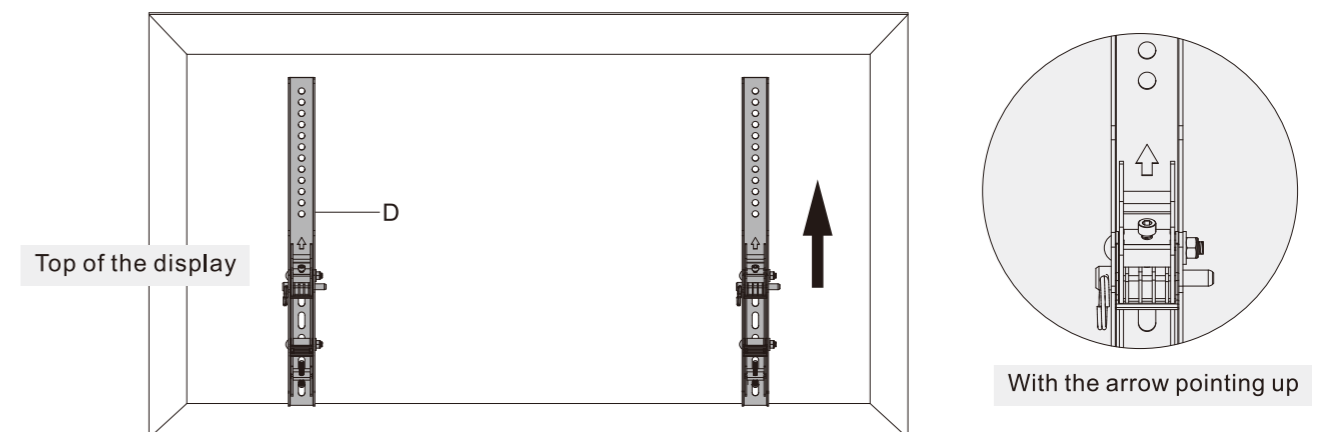
## 8. Tilt Adjustment



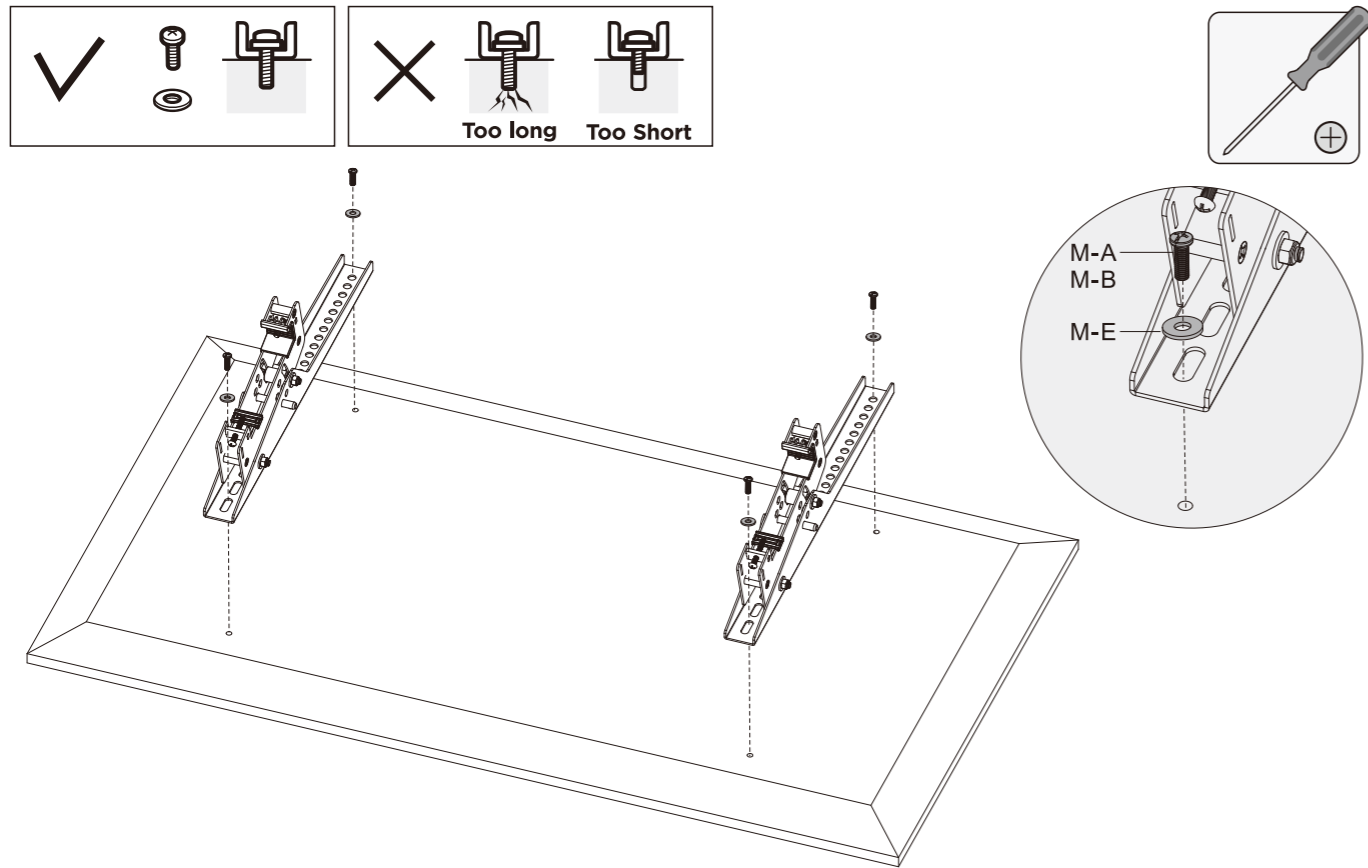
-20° is the natural angle and the safety pin is unnecessary.

## 9. Attach TV Bracket

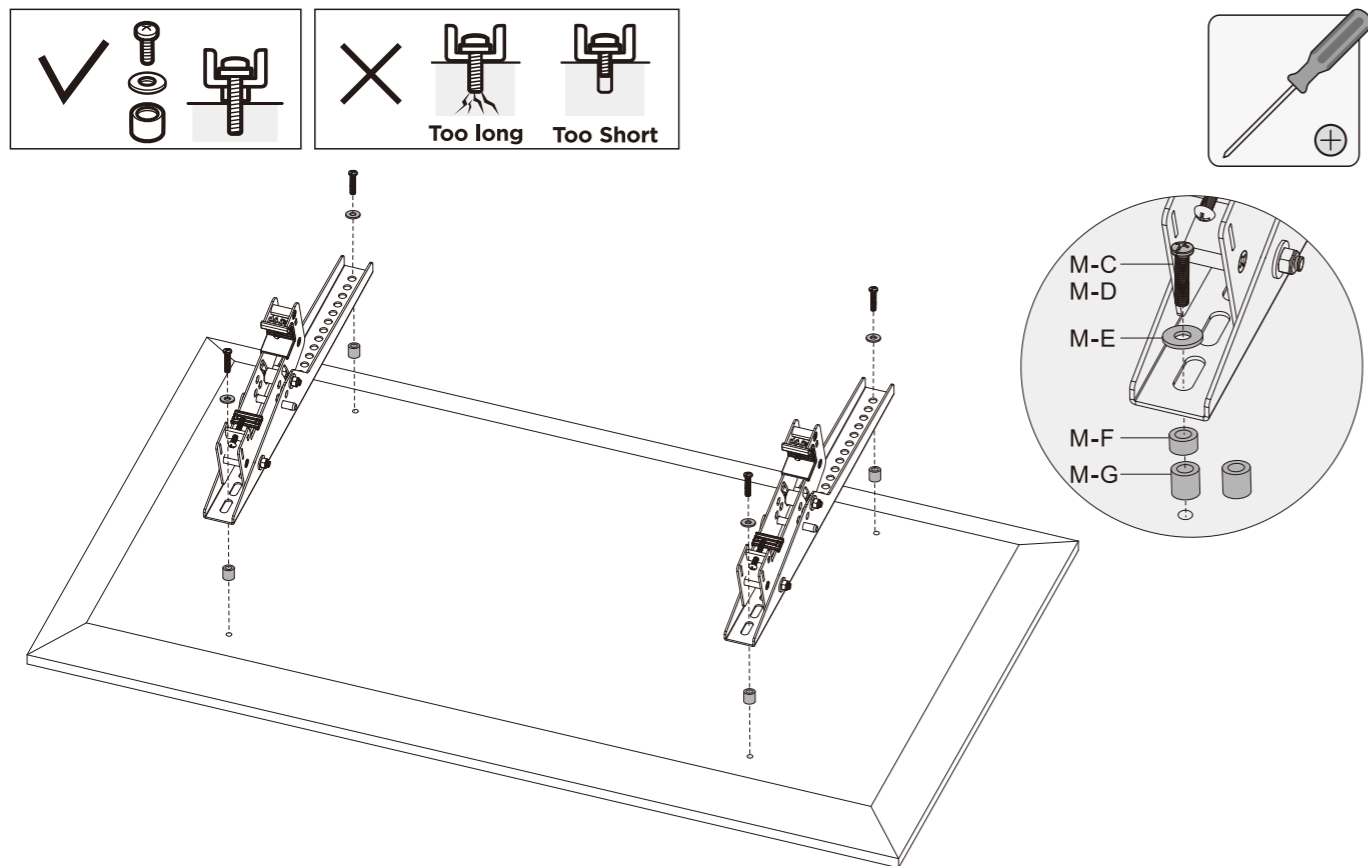
Position the adapter brackets as close as possible to the center of the display.



### 9a. Attach TV Bracket to Flat Back Screen



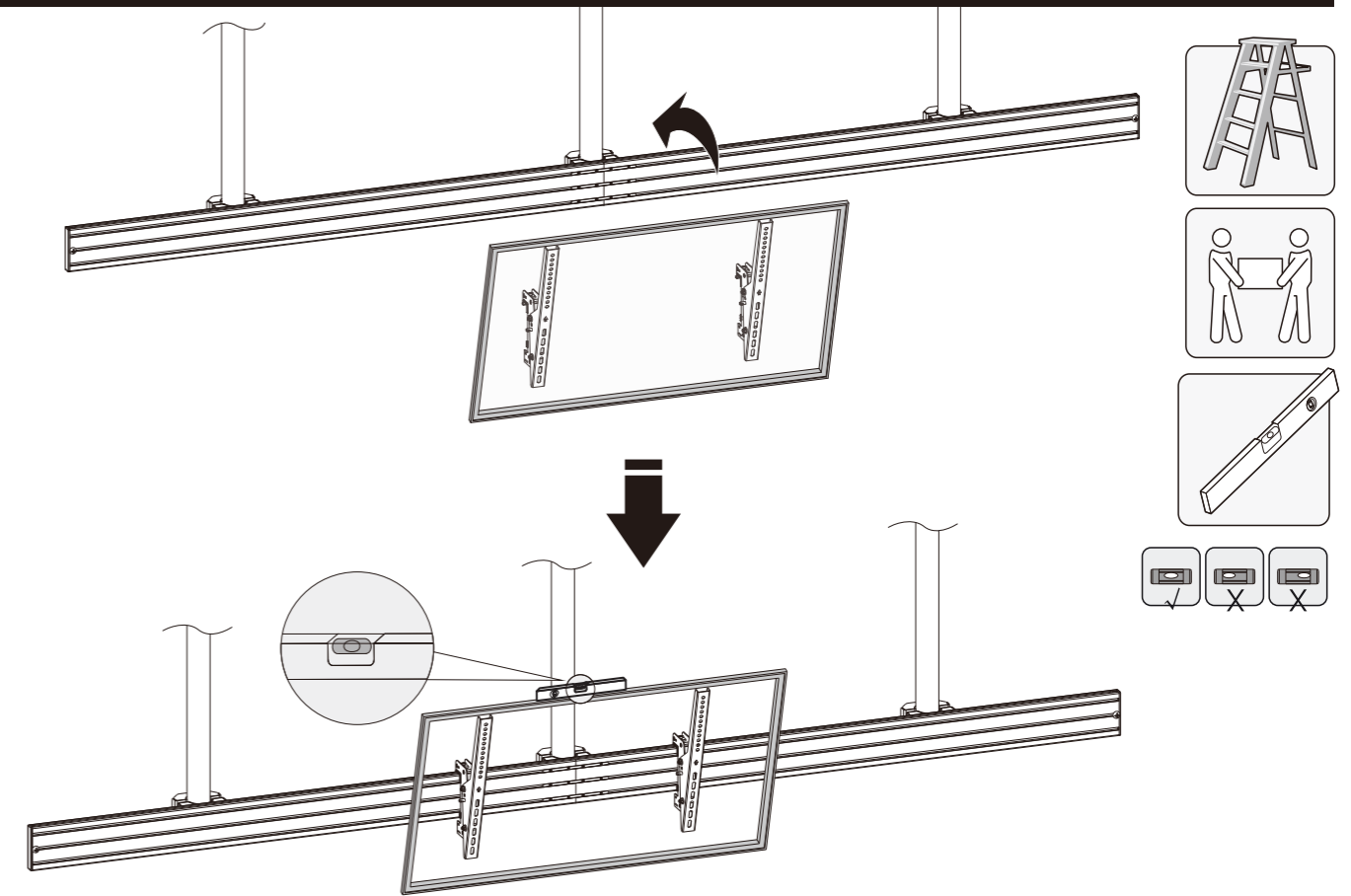
### 9b. Attach TV Bracket to Irregular Back Screen



**Note:** Choose the appropriate screws, washers and spacers (if necessary) according to the type of screen.

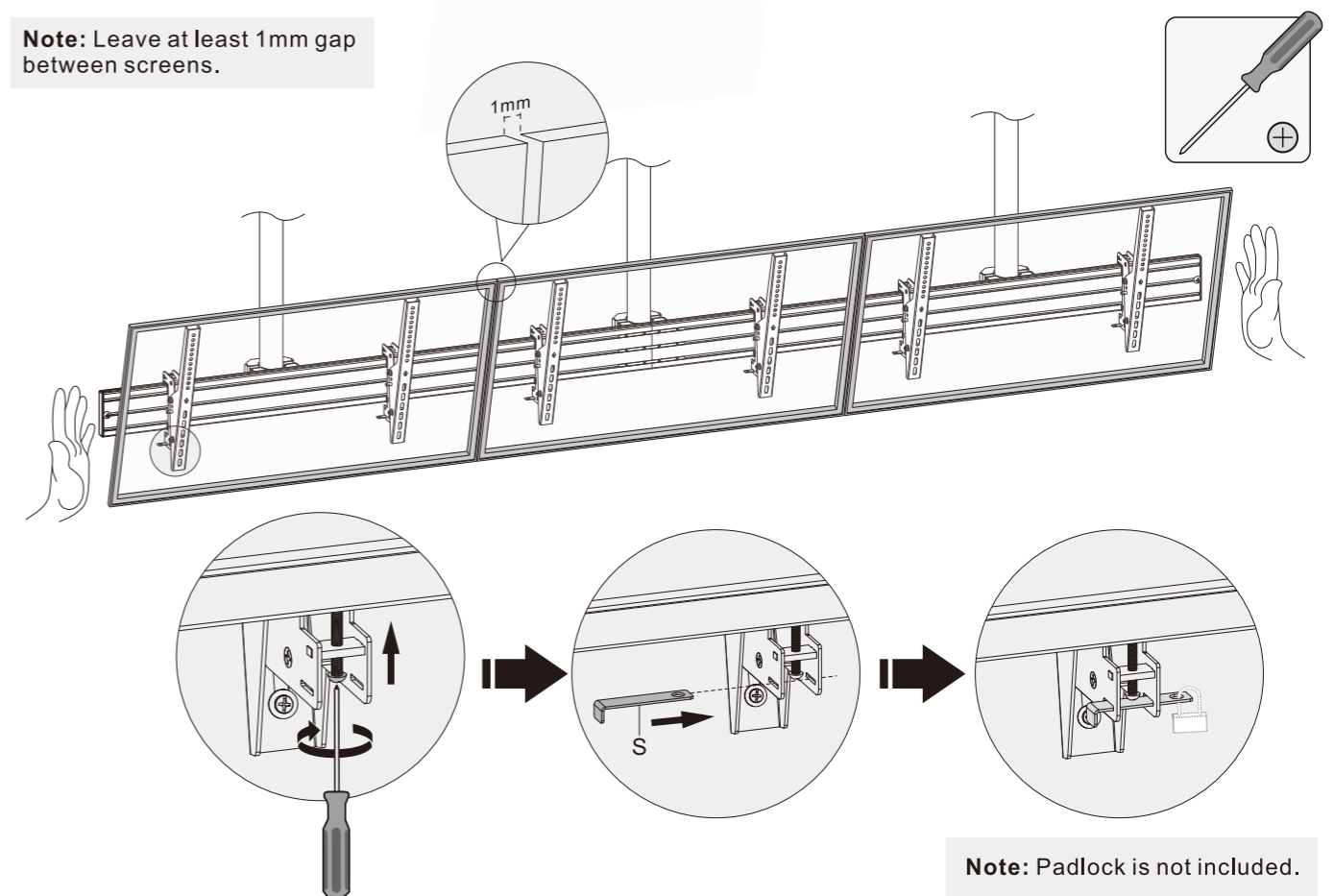
**⚠ Do not overtighten screws.**

### 10. Hang the Screen



### 11. Secure with Padlock

**Note:** Leave at least 1mm gap between screens.



**Note:** Padlock is not included.