

Manufactured in China by Brateck for MOUNTS-IN GROUP MB

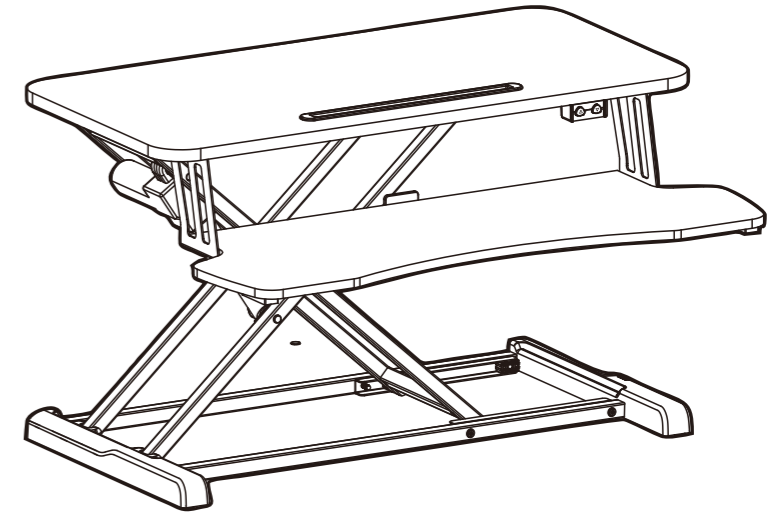
www.mounts-in.lt | www.mounts-in.lv | www.mounts-in.ee | www.mounts-in.com

MOUNTS-IN

Instruction Manual

ELECTRIC SIT-STAND WORKSTATION

DWS15-01E



I Preface

This electric height adjustable standing desk consists of a heavy-duty steel desk frame, a desktop and a motorized height adjustment system. Please read and completely understand this manual before installation in order to make sure the safe and correct use of the system and maintain the longevity of the overall construction and the built-in electronics.

Instructions of Safety and Warnings:

- Any failure to comply with the safety and installation instructions in this manual may cause serious bodily injury.
- Overlooking any part of the instructions, warnings and additional information marked with the **"Note"** and **"⚠"** may result in serious damage to the system or its components.
- Children should never be allowed to operate or touch the product without direct supervision of an adult. Users should prevent children from being near or around the desk during operation.
- Disabilities and/or lack of experience and knowledge should be prevented from using the product unless under supervision or assisted during use and operation.
- Never sit on or exceed the rated weight of the desk.



Electrical Safety Instructions:

The product is powered by electricity. In order to avoid burns, fire and electric shock, please read the instructions carefully.



Don't clean the product with water while the power is still connected.



Never operate the system if it's in moist environment or its electrical components have contact with liquids.



Don't disassemble or replace components while the power is still connected.



Don't operate the system if the control box makes noise or odor. Alterations of the given power unit and control box aren't allowed.



Never operate the system with a damaged cord or plug. Please contact your point of purchase to replace the damaged parts.



Other Safety Instructions:

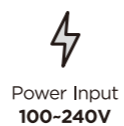
- Remove any obstacles from the area around the desk during assembly and subsequent use.
- Organize all cords and wires to prevent any possible tripping or accidents from occurring.
- Never attempt to modify or change the desk frame or components that operate the desk.
- Don't add anything to the adjustable junctions of the desk frame.
- The desk is rated for Indoor Use Only.



Disposal: The product with this mark indicates that this product shouldn't be disposed with other household wastes throughout the EU. To prevent possible harm to the environment or human health from uncontrolled waste disposal, recycle it responsibly to promote the sustainable reuse of material resources. To return your used device, please use the local recycle service or contact your point of purchase to withdraw the product.

Preparation

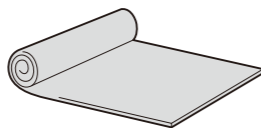
1 What are the specifications you need to know?



2 What are the tools you require while installation?



3 What's the thing you'd better have before installation?



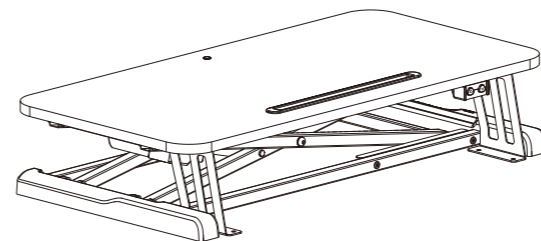
A Shipping Blanket to protect the desk and the floor.

4 Things you need to know before installation

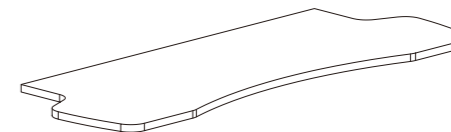
Ensure that you have received all parts according to the component checklist prior to installation. If any of the components are missing or damaged, contact your local seller for a replacement.

Now let's start the installation.

Checklist and Installation



A (x1)



B (x1)



C (x1)



D (x3)



E (x2)



F (x4)

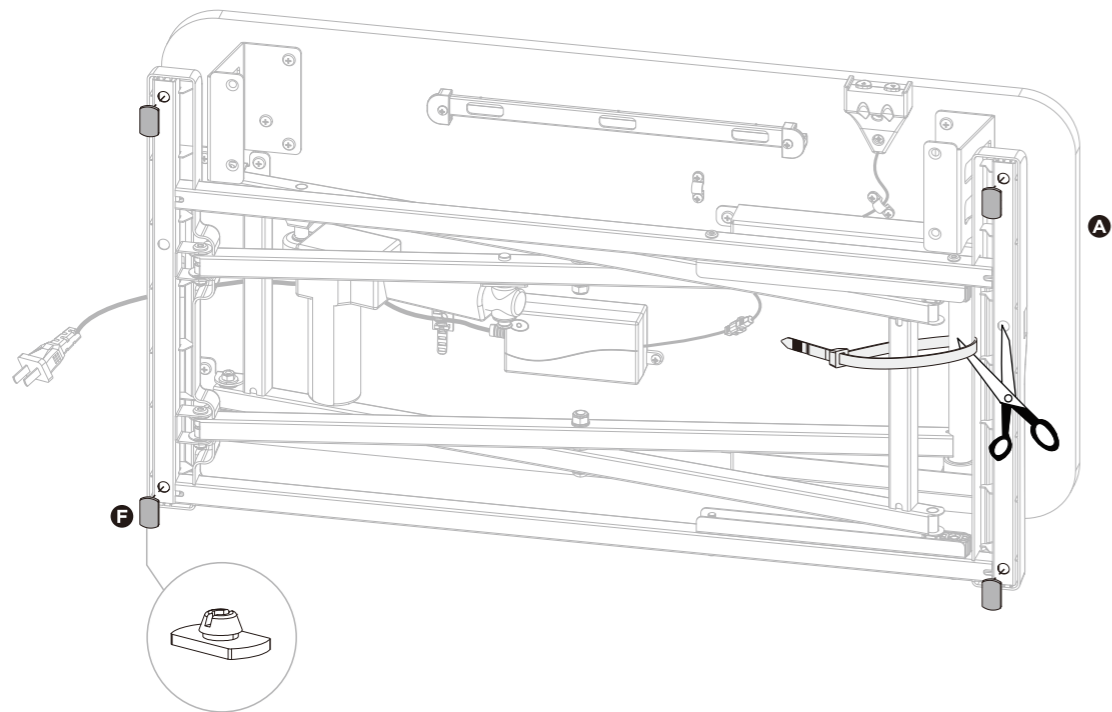


G (x2)
ST4.2x12

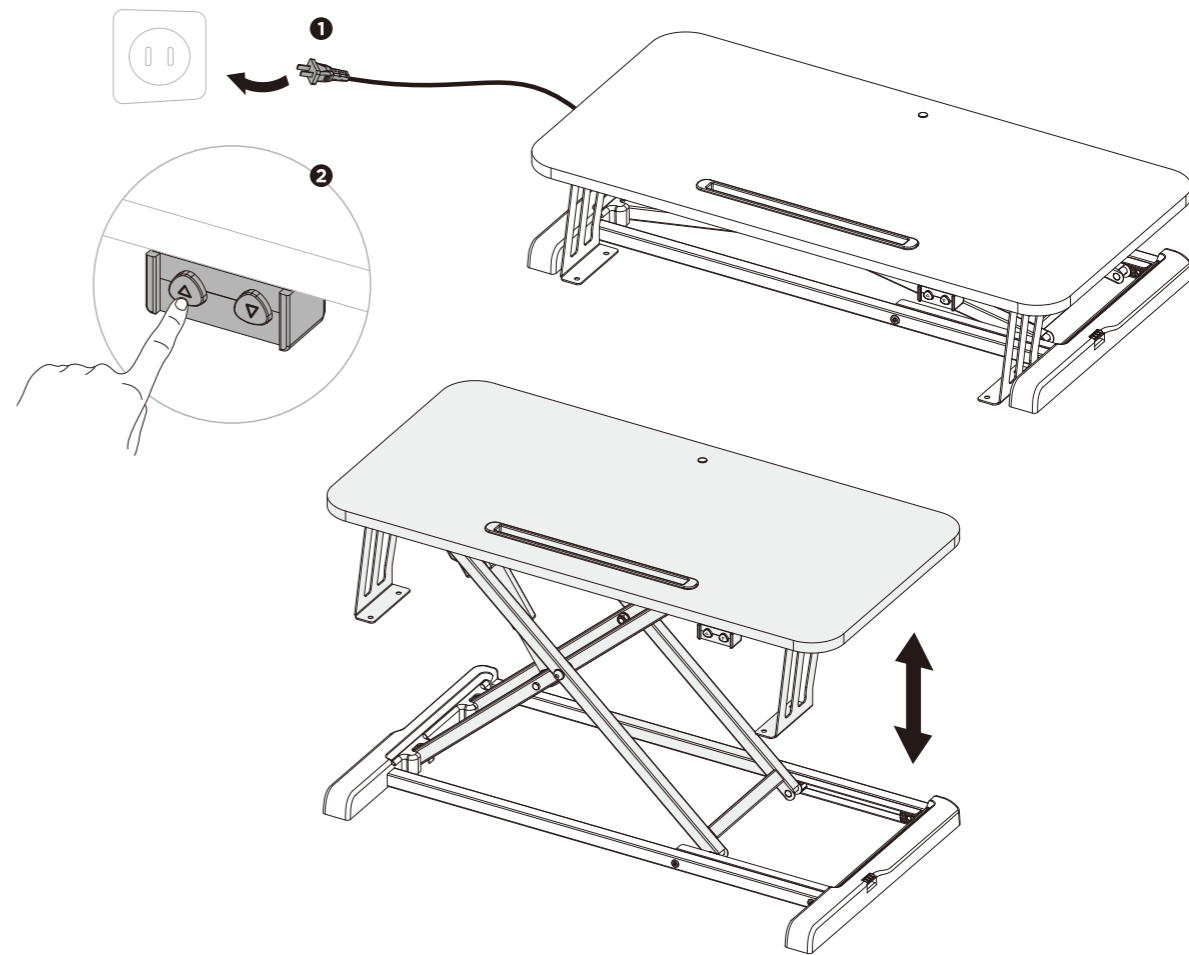


H (x4)
M5x8

This page can be torn so that it's easier for you to match the components with the images.

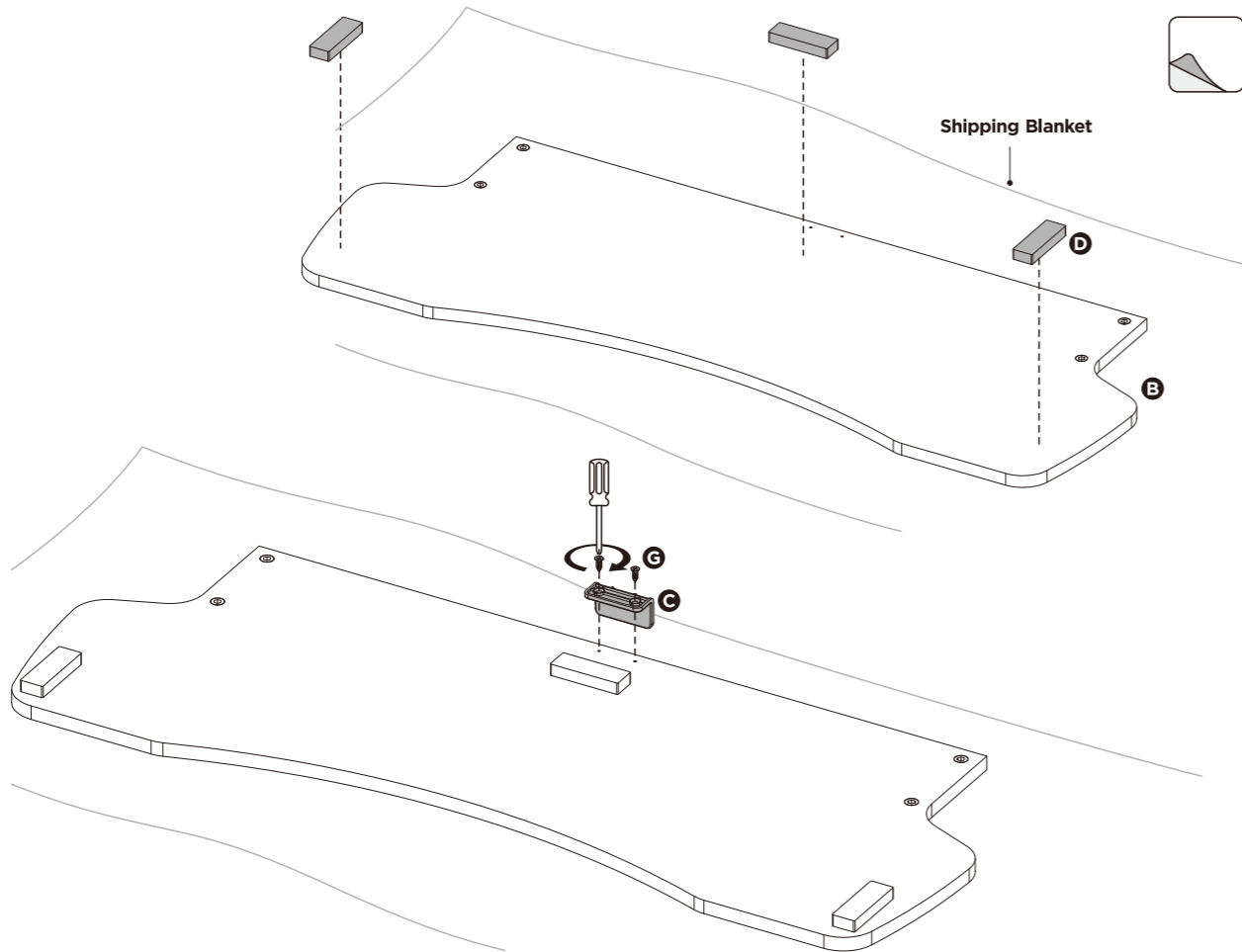
1

4

2

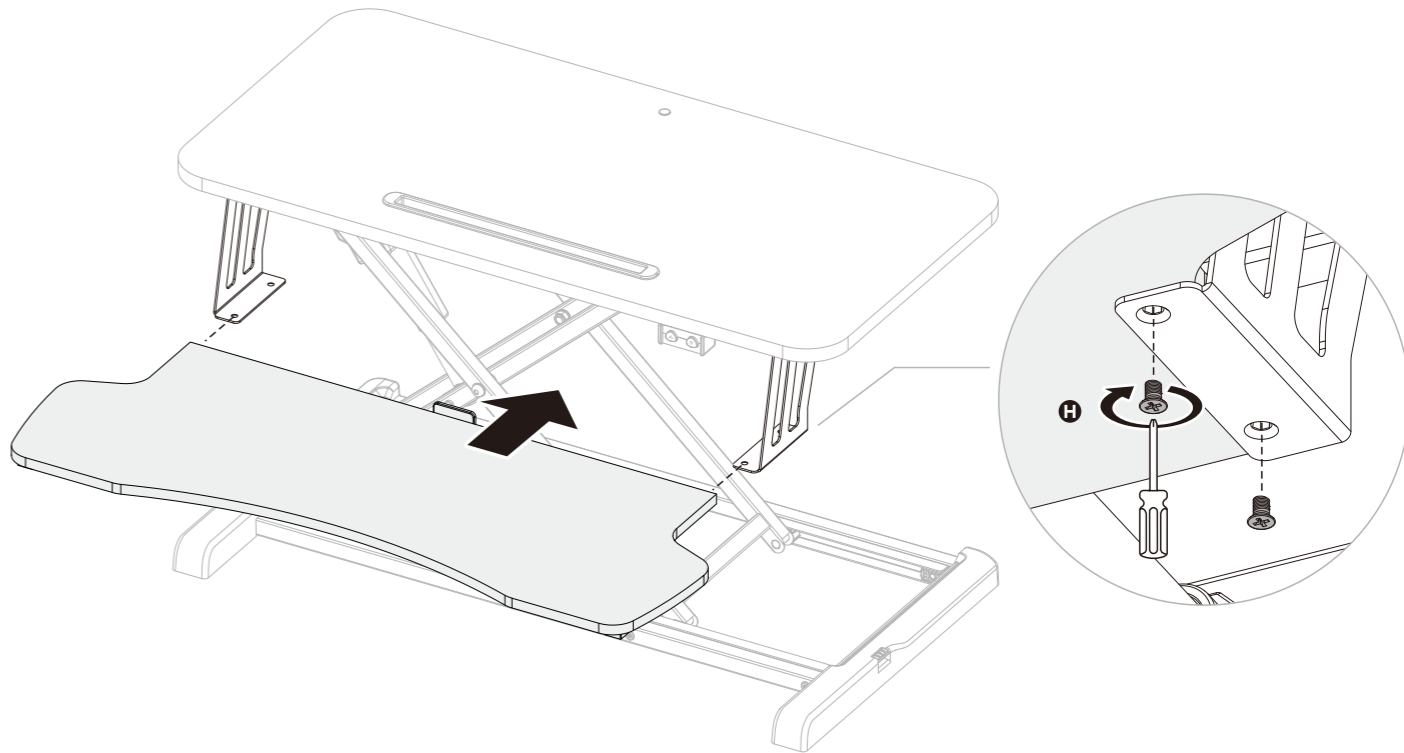
5

3



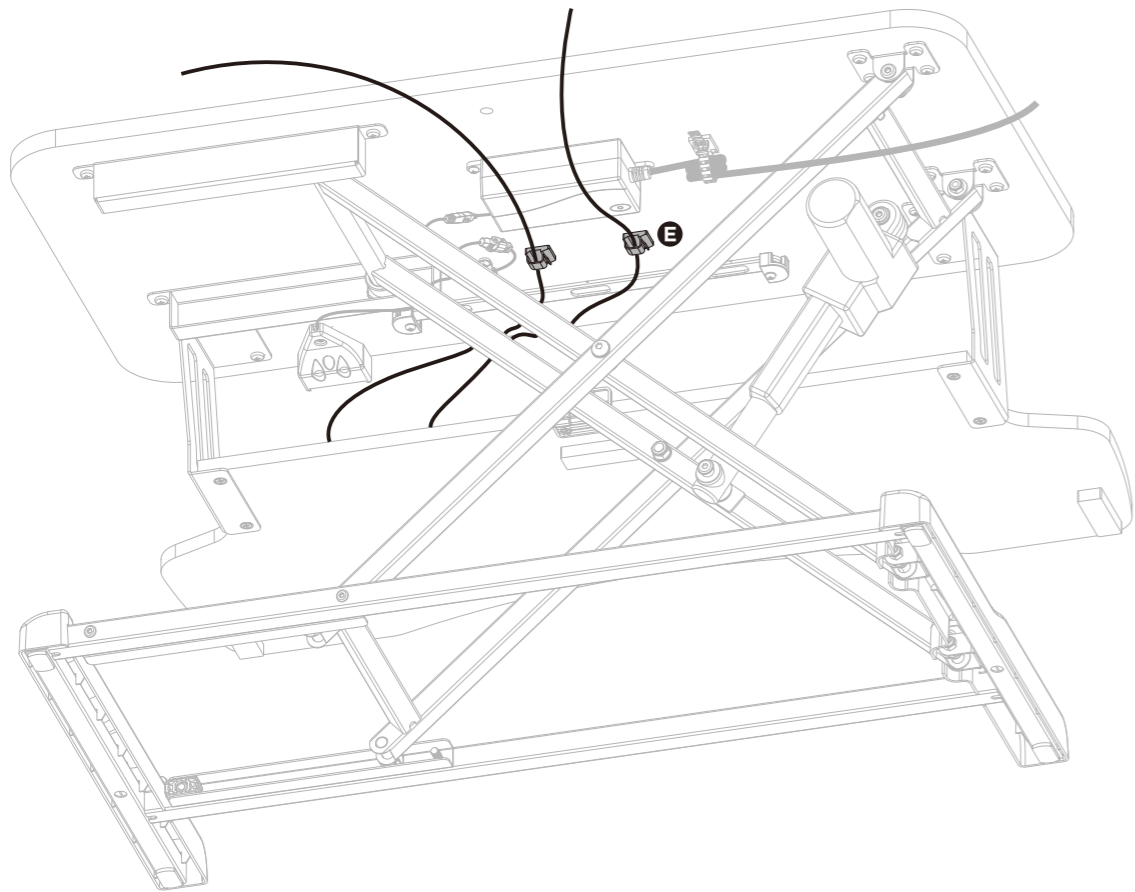
6

4

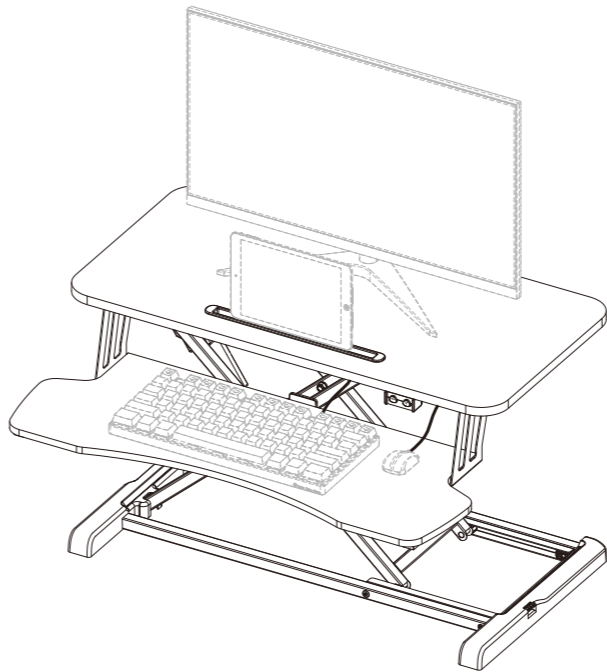


7

5



6



OR

